

LI-IMX335-MIPI-M12

Data Sheet

Rev. 1.2

Key Features

- Sony Diagonal 6.52 mm (Type 1/2.8) 5MP CMOS Image Sensor IMX335
- Active pixels: 2608 (H) x 1960 (V)
- Pixel size: 2.0 x 2.0 μm
- Color sensor
- Interface: MIPI output
- Supports M12 lens
- Module size: 38 x 38 mm
- Weight: ~ 12 g
- Part#: **LI-IMX335-MIPI-M12**

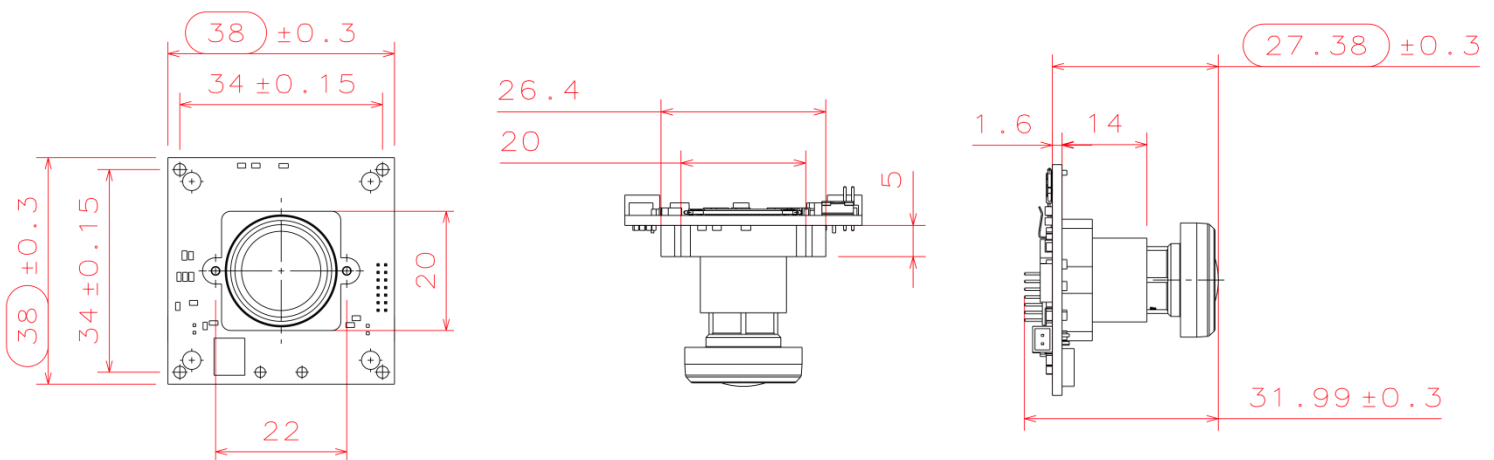


Lens Spec

- Focal Length: 3.7 mm
- Aperture, F/#: 2.8 +/- 5%
- Built in 650 nm IR cut filter
- FOV (D / H / V): 87° / 73.5° / 58.5°
- TV Distortion: -1.0 %
- Mount: M12 x P0.5



Dimensions



Interfaces

Interfaces	
<p>Interface J4:</p> <ul style="list-style-type: none"> Part#: 20525-030E-02C Number of Positions: 30 Pitch: 0.4 mm Mating I-PEX cable: FAW-1233-xx 	
<p>Interface J3:</p> <ul style="list-style-type: none"> Part#: 1734829-2 Number of Positions: 2 Pitch: 1.25 mm 	
<p>Interface J6:</p> <ul style="list-style-type: none"> Part#: 1734829-2 Number of Positions: 2 Pitch: 1.25 mm 	



Revision History

Revision	Description	Release Date
1.0	First release.	20. Sep. 2018
1.1	Deleted info quoted from sensor spec.	27. May. 2022
1.2	Updated lens.	24. Jul. 2023

