



# LI-IMX265-MIPI-M12

## Data Sheet

Rev. 1.3

### Key Features

- Sony Diagonal 8.9 mm (Type 1/1.8) CMOS Image Sensor IMX265
- Active pixels: 2064 (H) x 1544 (V)
- Pixel size: 3.45 x 3.45  $\mu\text{m}$
- Color sensor
- Interface: MIPI output
- Supports M12 lens
- Global Shutter
- Weight: ~ 15 g
- Part#: **LI-IMX265-MIPI-M12**

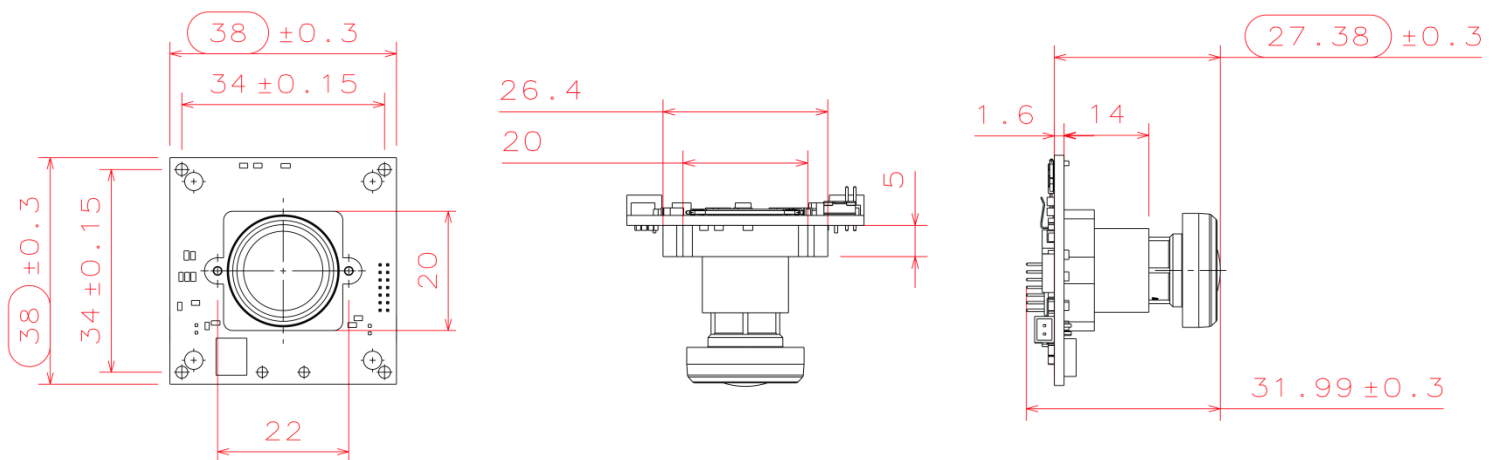


### Lens Spec

- Focal Length: 5.5 mm
- Aperture, F/#: 1.8
- Built in 650 nm IR cut filter
- FOV (H): 64.5°
- TV Distortion: 2.2 %
- Mount: M12 x P0.5



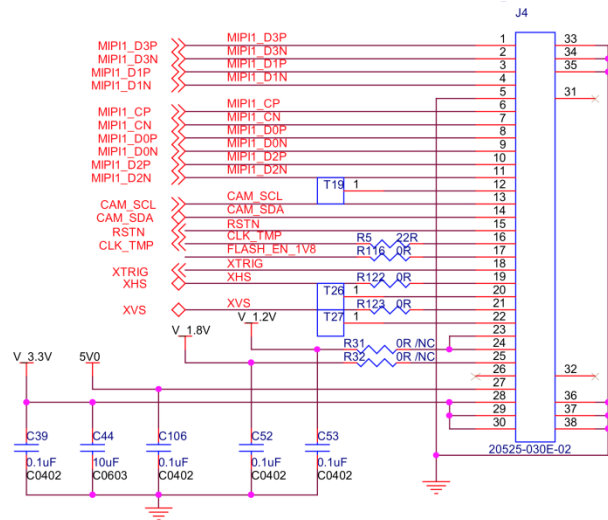
### Dimensions



# Interfaces

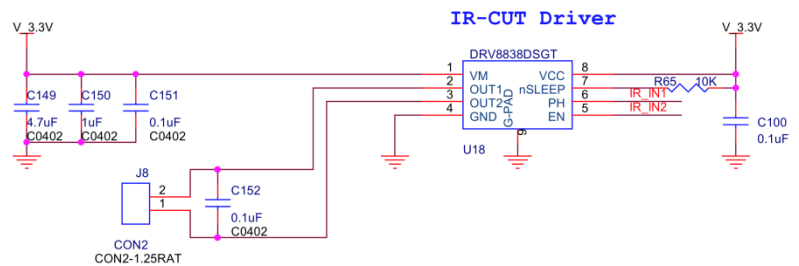
## Interface J4:

- Part#: 20525-030E-02C
- Number of Positions: 30
- Pitch: 0.4 mm
- Mating I-PEX cable: LI-FAW-1233-T1 (200 mm)



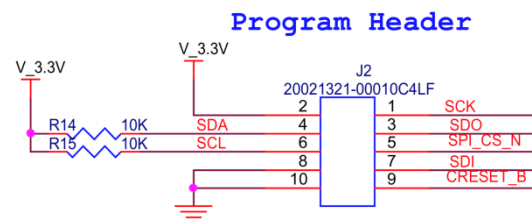
## Interface J8:

- Part#: 1734829-2
- Number of Positions: 2
- Pitch: 1.25 mm



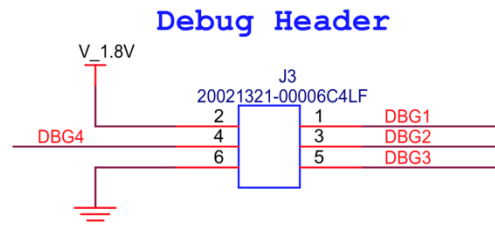
## Interface J2:

- Part#: 20021321-00010C4LF
- Number of Positions: 10
- Pitch: 1.27 mm



## Interface J3:

- Part#: 20021321-00006C4LF
- Number of Positions: 6
- Pitch: 1.27 mm



## Revision History

Revision	Description	Release Date
1.0	First release	20. Sep. 2018
1.1	Added more specs.	20. May. 2019
1.2	Deleted info quoted from sensor spec.	26. May. 2022
1.3	Deleted lens model info.	24. Jul. 2023

