



LI-AR0144-MIPI-M12

Data Sheet

Rev. 1.2

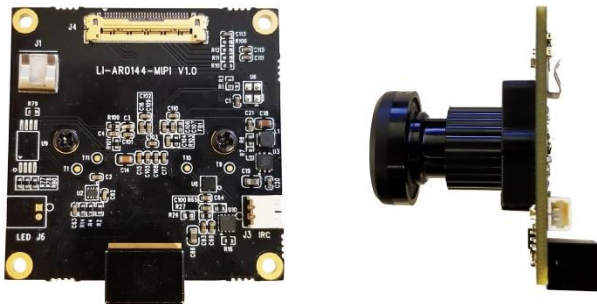
Key Features

- ON Semiconductor CMOS Image Sensor AR0144
- Active pixels: 1280 (H) x 800 (V)
- Pixel size: 3.0 x 3.0 μm
- Optical format: 1/4"
- Interface: MIPI output
- Supports M12 lens
- Global Shutter
- Weight: ~ 12 g
- Part#: **LI-AR0144-MIPI-M12**

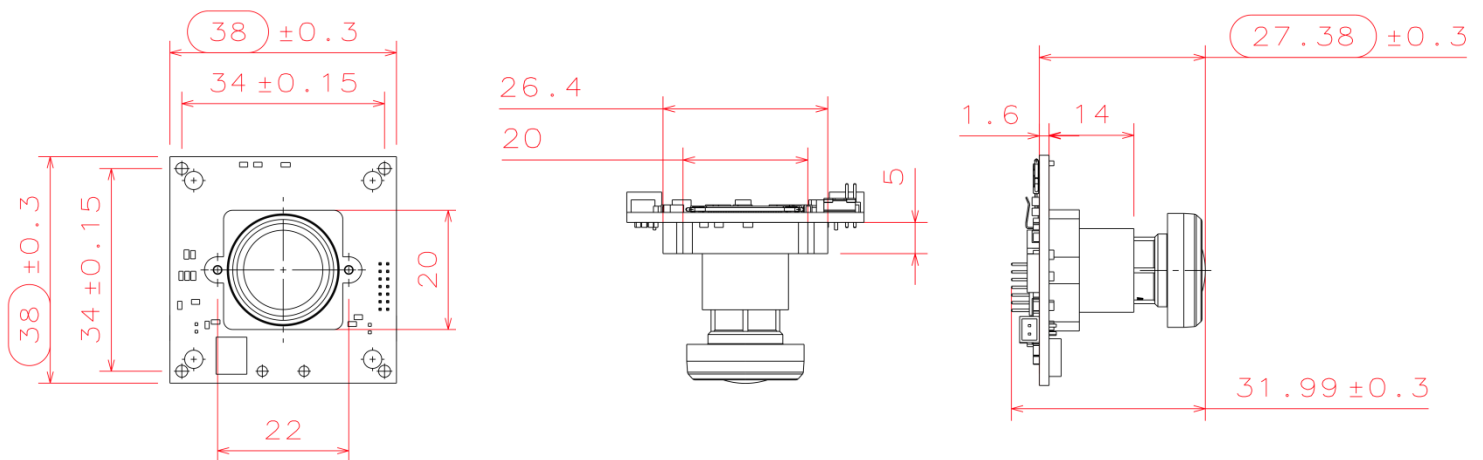


Lens Spec

- Focal Length: 3.7 mm
- Aperture, F/#: 2.8 +/- 5%
- Built in 650 nm IR cut filter
- FOV (D / H / V): 66.5° / 59° / 35.5°
- TV Distortion: -1.0 %
- Mount: M12 x P0.5



Dimensions

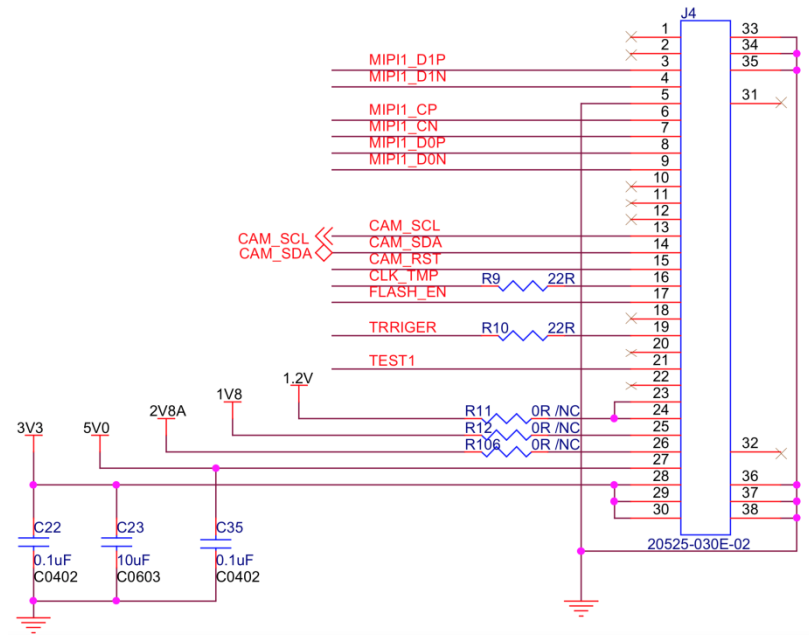


Interfaces

Interfaces

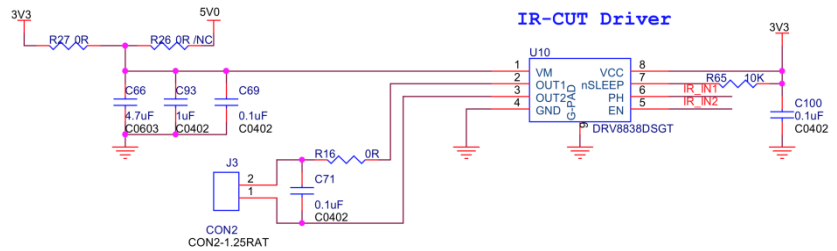
Interface J4:

- Part#: 20525-030E-02C
- Number of Positions: 30
- Pitch: 0.4 mm
- Mating I-PEX cable: FAW-1233



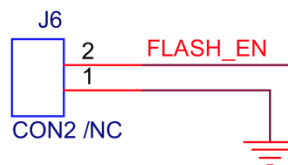
Interface J3:

- Part#: 1734829-2
- Number of Positions: 2
- Pitch: 1.25 mm



Interface J6:

- Part#: 1734829-2
- Number of Positions: 2
- Pitch: 1.25 mm



Revision History

Revision	Description	Release Date
1.0	First release.	15. Dec. 2020
1.1	Deleted info quoted from sensor spec.	26. May. 2022
1.2	Updated lens.	21. Jul. 2023

