



LI-OX08A4Y-FPDLINKIII-120H



Address:

910 Auburn Ct
Fremont, CA 94538
USA



Phone:

+1 (408)263-0988

Fax:

+1 (408)217-1960



Sales:

sales@leopardimaging.com

Support:

support@leopardimaging.com

INTRODUCTION

LI-OX08A4Y-FPDLINKIII-120H is equipped with OmniVision CMOS (3840 x 2160) image sensor OX08A4Y which features PureCel[®]-S technology to provide higher sensitivity and full-well capacity. Such high-end sensor could also output up to 24-bit 36 fps combined video with 4 captures, 2 ROIs, and 24-bit / 20-bit / 16-bit / 14-bit / 12-bit RAW data.

SPECIFICATIONS

Sensor	OmniVision CMOS Image Sensor OX08A4Y
Optical Format	1/1.73"
Resolution	3840 (H) x 2160 (V)
Pixel Size	2.1 x 2.1 μ m
Output Format	24-bit / 20-bit / 16-bit / 14-bit / 12-bit RAW data
Maximum Frame Rate	36 fps @ 4K
HDR	Supported
Serializer	TI953 FPD-Link III
Power Supply Range	9 ~ 19 VDC
Connector	FAKRA Z TYPE
Power Consumption	< 100 mA @ 12 VDC (4K @ 9 fps)
Operating Temp	-40°C ~ +85°C
Storage Temp	-40°C ~ +85°C
Weight	TBD
Part#	LI-OX08A4Y-FPDLINKIII-120H

APPLICATIONS

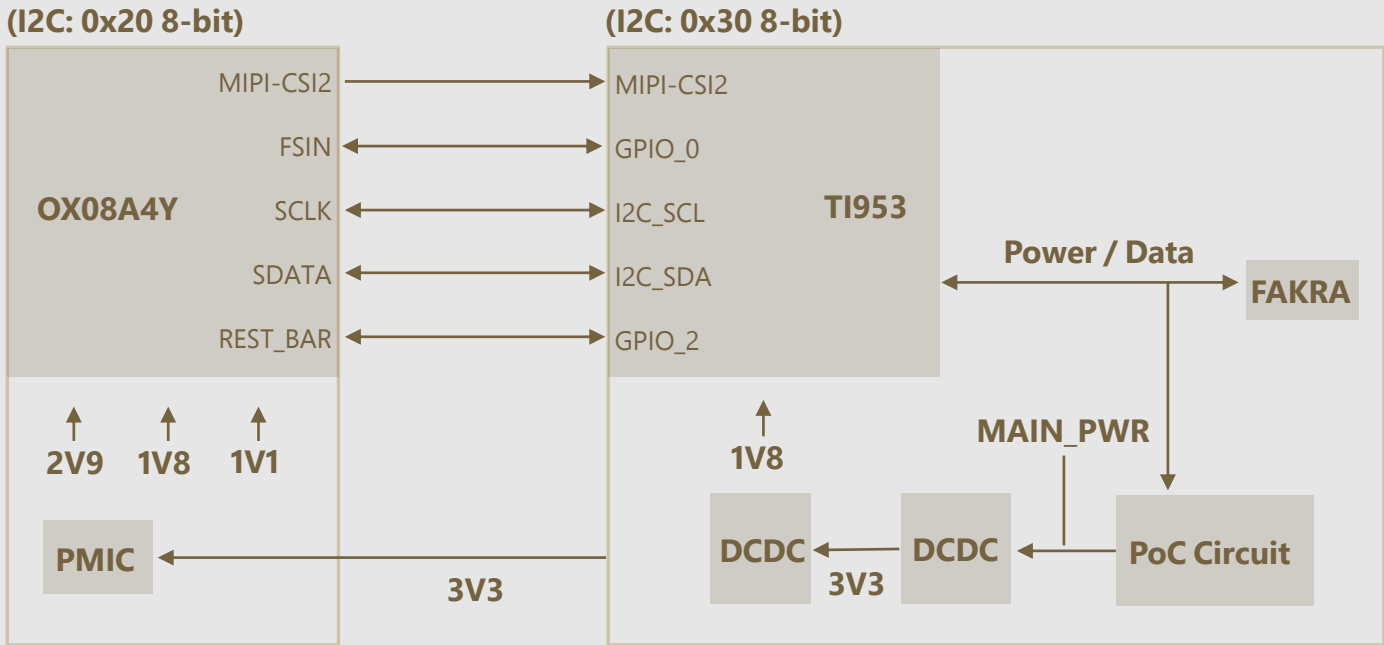
- Automotive
 - ◆ High Resolution Front Viewing
 - ◆ Machine Vision
 - ◆ Autonomous Driving
 - ◆ Assisted Driving
 - ◆ Digital Video Recording

LENS SPECIFICATIONS

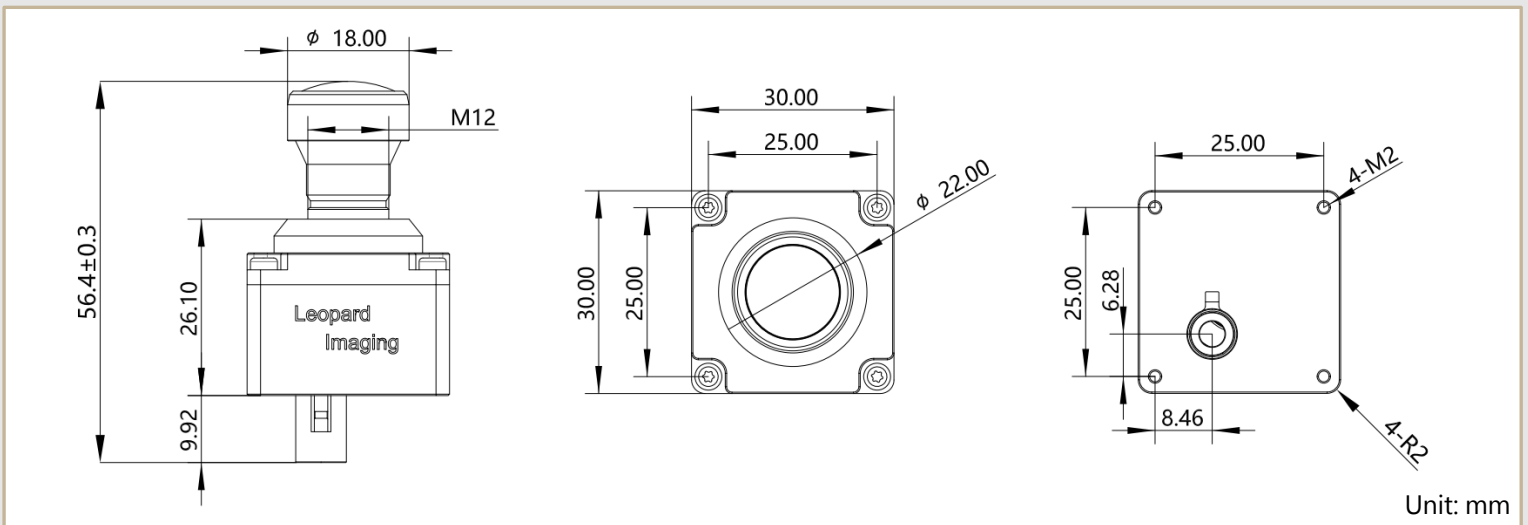
Focal Length	3.9 mm \pm 2%
Aperture, F/#	1.6 \pm 5%
Field of View (FOV)	140.1° diagonal
	121.2° horizontal
	67.2° vertical
Optical Distortion	< -56.88%
Relative Illumination	69.1%
IR Cut Filter	650 nm IR cut filter
Lens Mount	M12 x P0.5



BLOCK DIAGRAM



DIMENSIONS

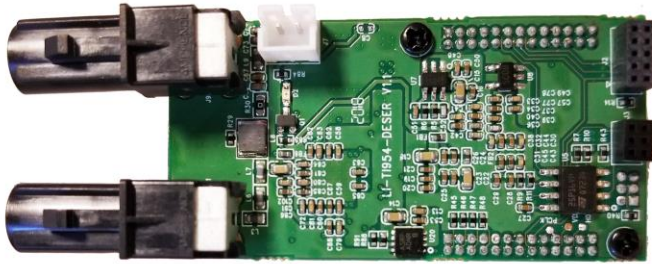


SOFTWARE SUPPORT

Platforms	Latest Drivers
NVIDIA Jetson Platforms	Please check detailed Jetson driver information: https://www.leopardimaging.com/driver-support/
Leopard USB3.0 Tester	The latest firmware will be pre-installed into the USB3.0 Camera Kit

USB3.0 CAMERA KIT

LI-FPDLINKIII-USB



Top View



Bottom View

LI-OX08A4Y-FPDLINKIII-120H can connect to LI-FPDLINKIII-USB as a USB 3.0 camera.

Part#: **LI-USB30-OX08A4Y-FPDLINKIII-120H**

SPECIFICATIONS

- USB 3.0 Super Speed support
- UVC compliance
- Provide customization services
- 12 VDC Power Supply for camera
- Weight: TBD
- Single Coax Cable transmit up to 12 meters PoC (Power over Cable)
- Resolution: 3840 x 2166 @ 9 fps
- Power consumption: < 100 mA @ 12 VDC
- Support Windows, Linux OS and other OS which include the UVC drivers

BOM

#	Items	QTY
1	LI-OX08A4Y-FPDLINKIII-120H	1
2	LI-FPDLINKIII-USB	1
3	3-Meter Fakra Cable	1
4	12 VDC Power Supply	1
5	USB3.0 Cable	1



12 VDC power supply for camera

SDK SUPPORTED

- Camera Tool Source Code in C#
- Capture & Display
- Register Access Function

● REVISION HISTORY

Revision	Description	Release Date
1.0	First release.	22 Jul 2021

910 Auburn Ct, Fremont, CA 94538, USA

Phone: +1-408-263-0988

Fax: +1-408-217-1960

Email: sales@leopardimaging.com

Website: www.leopardimaging.com

