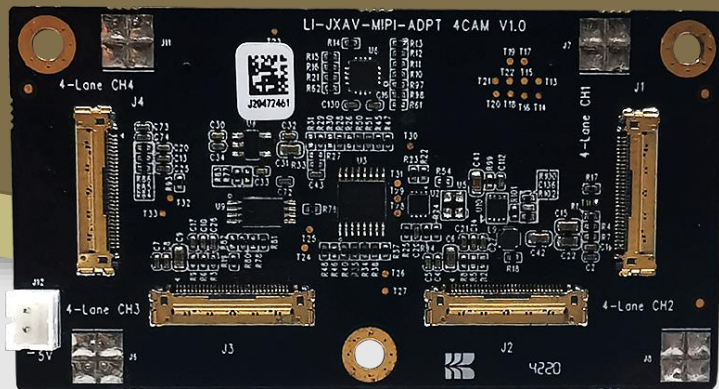




LEOPARD
IMAGING

LI-JXAV-MIPI-ADPT-4CAM



Address:

910 Auburn Ct
Fremont, CA 94538
USA



Phone:

+1 (408)263-0988

Fax:

+1 (408)217-1960



Sales:

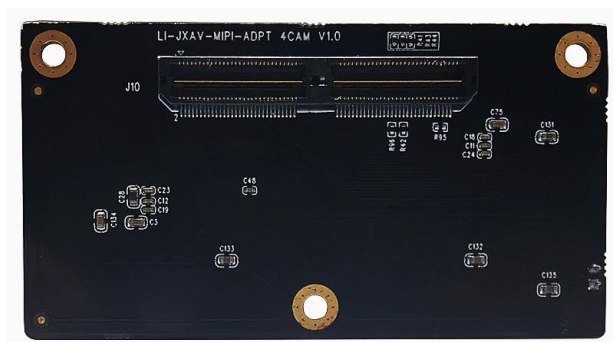
sales@leopardimaging.com

Support:

support@leopardimaging.com

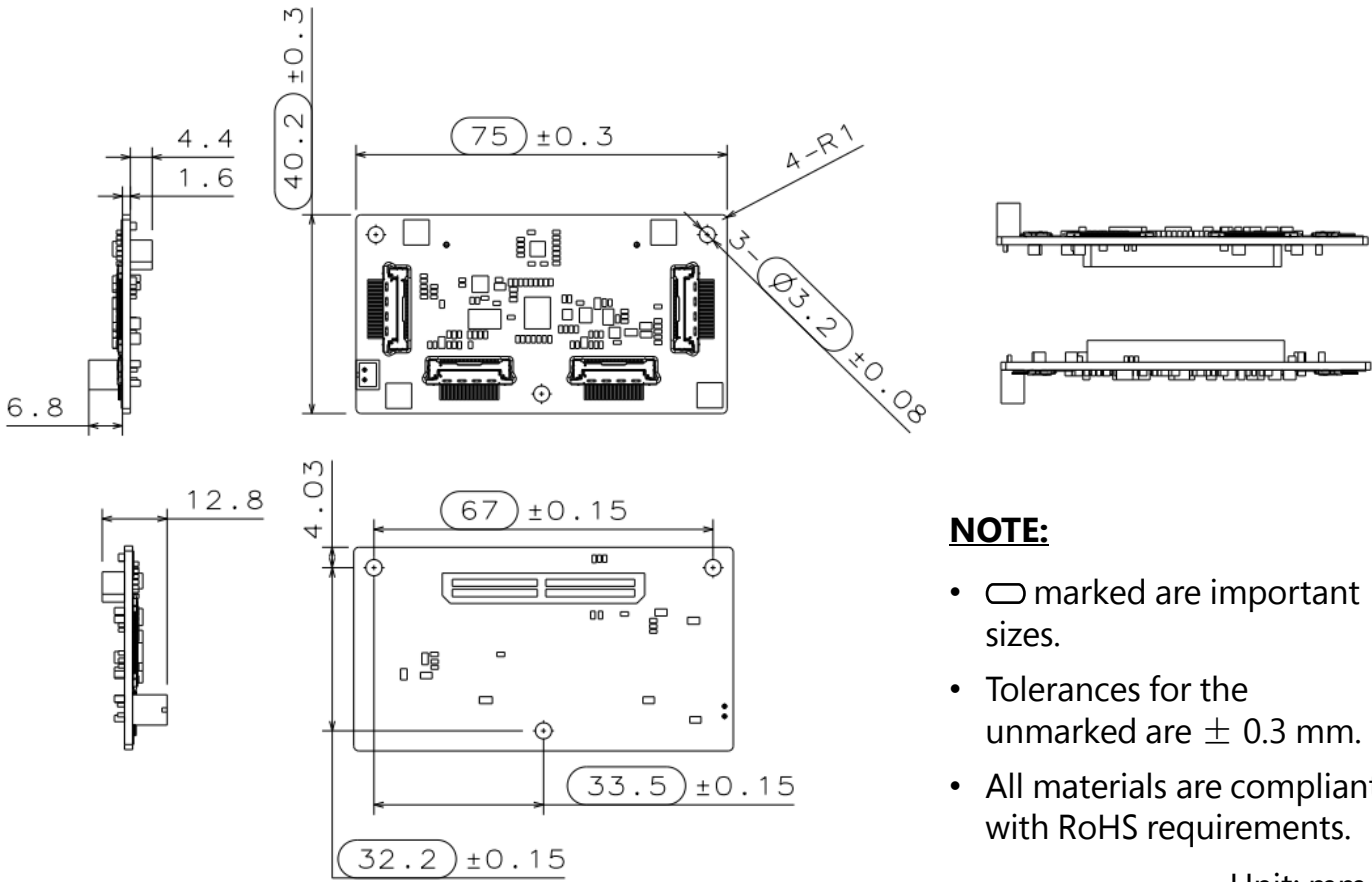
TECHNICAL FEATURES

- Compatible with NVIDIA® Jetson AGX Xavier™ and AGX Orin™ Developer Kit
- Supports up to four 4-lane or 2-lane MIPI cameras
- Support external 5V power supply
- Camera interface part#: 20525-030E-02
- Support I-PEX cable: FAW-1233-xx
- Operating temperature: TBD
- Size: 75 (L) x 40 (W) mm
- Weight: ~ 16 g
- Part#: **LI-JXAV-MIPI-ADPT-4CAM**



NOTE. NVIDIA® Jetson AGX Xavier™ or AGX Orin™ Developer Kit is **NOT** included.

DIMENSIONS



NOTE:

- \square marked are important sizes.
- Tolerances for the unmarked are ± 0.3 mm.
- All materials are compliant with RoHS requirements.

Unit: mm

BOM DETAILS

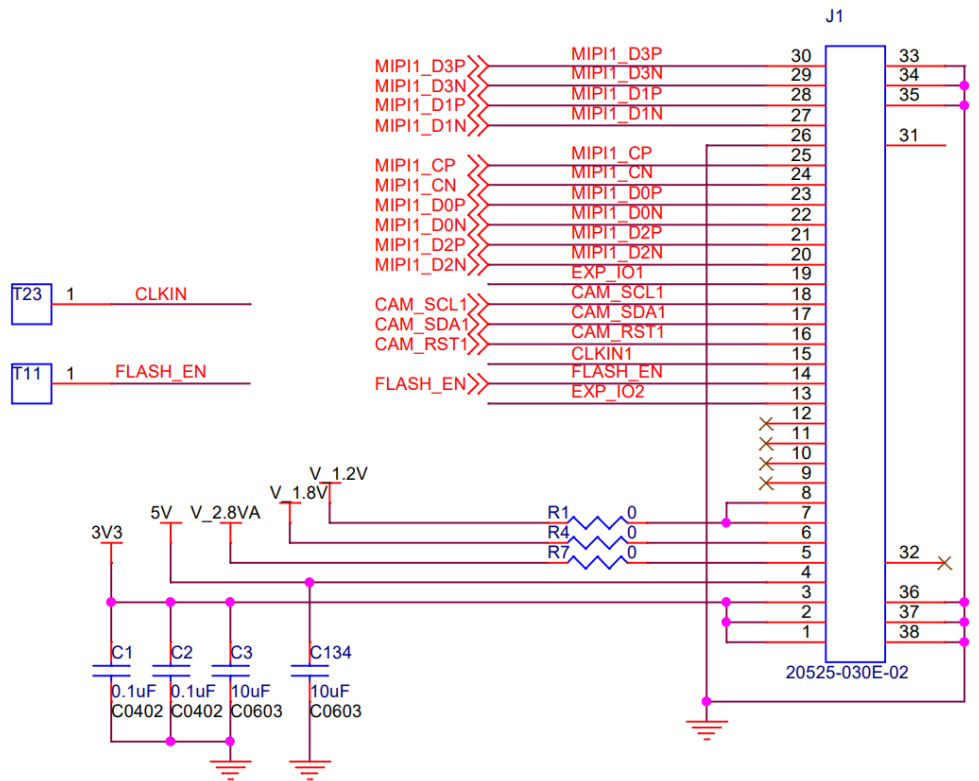
#	Items	QTY
1	LI-JXAV-MIPI-ADPT-4CAM	1
2	DC 5V power supply	1

NOTE: NVIDIA® Jetson AGX Xavier™ or AGX Orin™ Developer Kit is **NOT** included.

INTERFACES

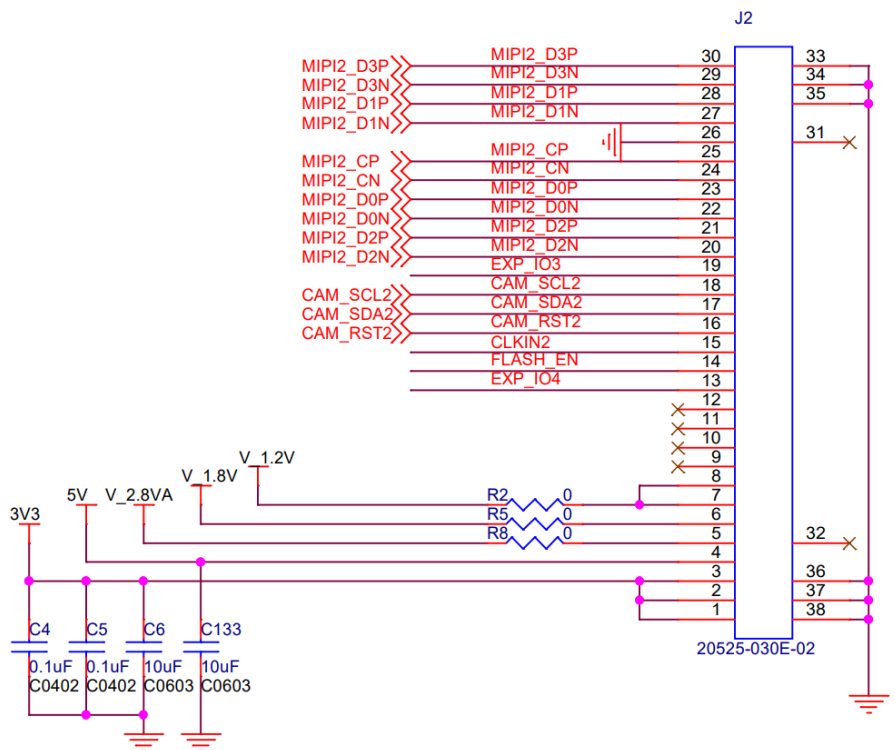
Interface J1 (Camera Channel 1)

- Part#: 20525-030E-02
- Number of Positions: 30
- Pitch: 0.4 mm
- Mating I-PEX Cable: FAW-1233-XX



Interface J2 (Camera Channel 2)

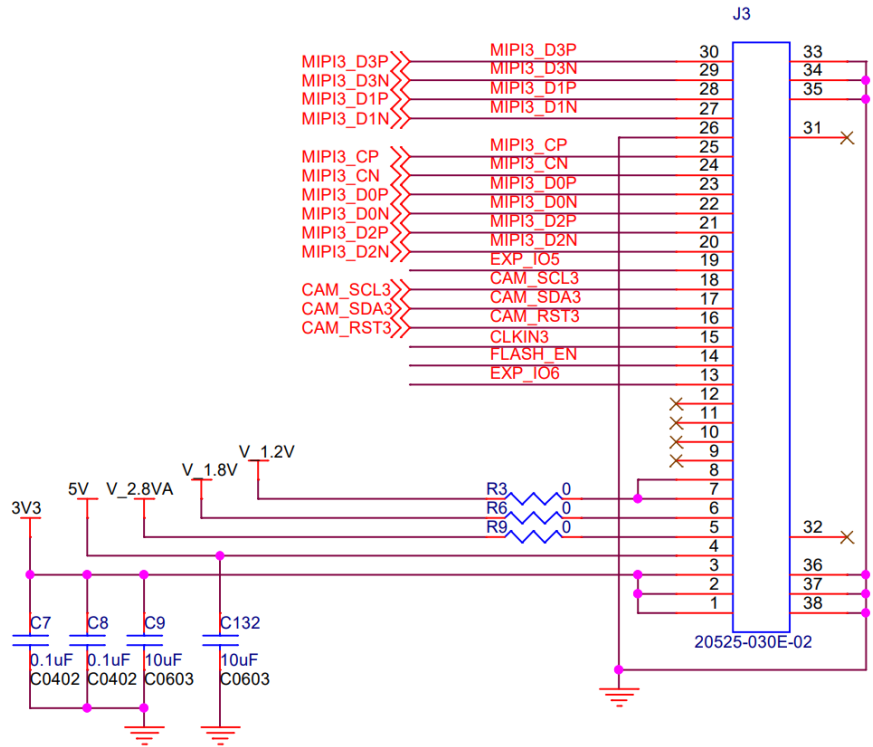
- Part#: 20525-030E-02
- Number of Positions: 30
- Pitch: 0.4 mm
- Mating I-PEX Cable: FAW-1233-XX



INTERFACES

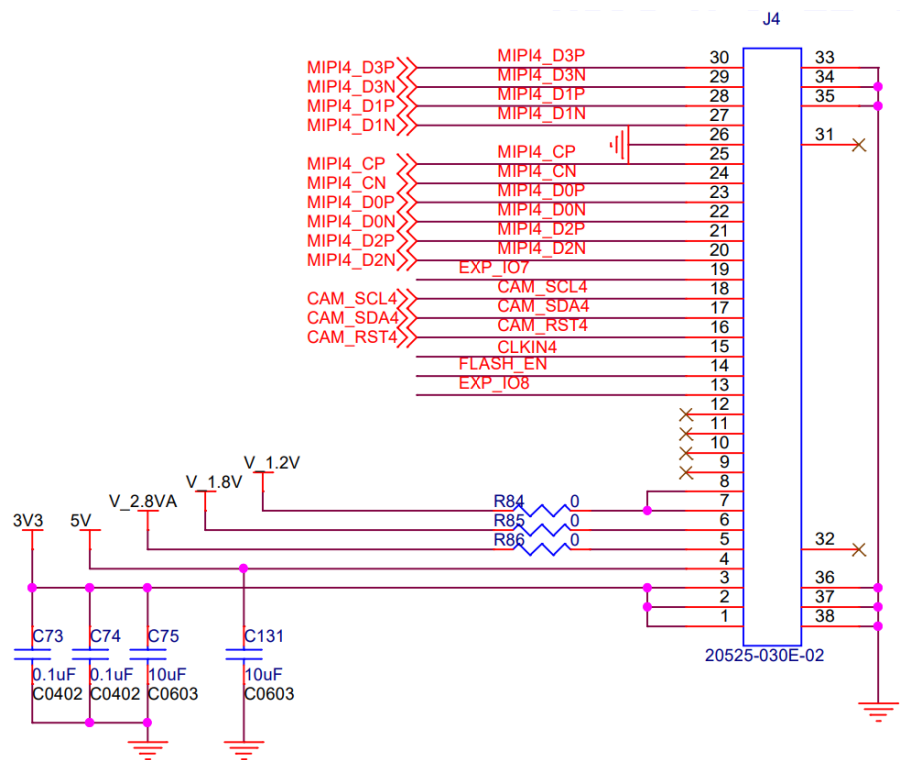
Interface J3 (Camera Channel 3)

- Part#: 20525-030E-02
- Number of Positions: 30
- Pitch: 0.4 mm
- Mating I-PEX Cable: FAW-1233-XX



Interface J4 (Camera Channel 4)

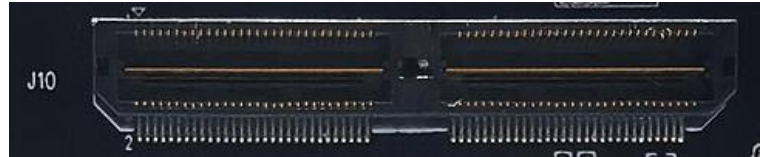
- Part#: 20525-030E-02
- Number of Positions: 30
- Pitch: 0.4 mm
- Mating I-PEX Cable: FAW-1233-XX



INTERFACES

INTERFACE J10 (To Xavier)

- Part#: QTH-060-01-L-D-A
- Number of Positions: 120
- Number of Rows: 2
- Pitch: 0.5 mm



Interface J12 (External 5V)

- Part#: 0894000220
- Number of Positions: 2
- Pitch: 2 mm

Mainly used to connect to the 5V power for IR cut switch



● REVISION HISTORY

Revision	Description	Release Date
1.0	First release.	19 Feb 2019
1.1	1. Added features: compatible with AGX Orin™ Developer Kit. 2. Added weight. 3. Changed the old format to new format. 4. Updated J10 and J12.	31 Oct 2023

910 Auburn Ct, Fremont, CA 94538, USA

Phone: +1 (408)263-0988

Fax: +1 (408)217-1960

Email: sales@leopardimaging.com

Website: www.leopardimaging.com

