



LEOPARD
IMAGING

LI-IMX415-MIPI-081H



Address:

910 Auburn Ct
Fremont, CA 94538
USA



Phone:

+1 (408)263-0988

Fax:

+1 (408)217-1960



Sales:

sales@leopardimaging.com

Support:

support@leopardimaging.com

INTRODUCTION

The LI-IMX415-MIPI-081H is a MIPI CSI-2 camera with Sony 8.4MP STARVIS back-illuminated CMOS sensor IMX415. This camera outputs 3864 x 2176 RAW data.

SPECIFICATIONS

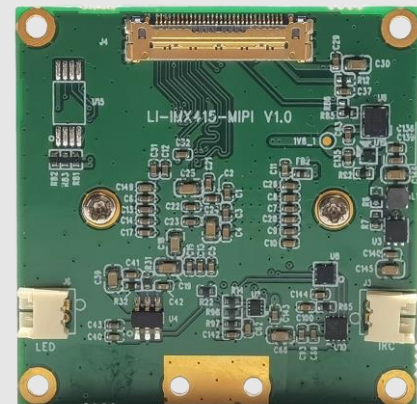
Sensor	Sony Diagonal 6.43 mm (Type 1/2.8) CMOS Image Sensor IMX415
Optical Format	1/2.8"
Resolution	3864 (H) x 2176 (V) (active pixels)
Pixel Size	1.45 x 1.45 μ m
Output Format	10-bit / 12-bit RAW data
Maximum Frame Rate	12-bit: 60.3 fps @ all-pixel scan mode 10-bit: 90.9 fps @ all-pixel scan mode
ISP	Not included
Color / Mono	Color
Interface	4-lane MIPI CSI-2
Power Consumption	190 mA @ 3.3 VDC
Operating Temp	-20°C ~ +70°C
Storage Temp	-20°C ~ +70°C
Weight	~ 17 g
Size	38 (L) x 38 (W) x 32.04 (D) mm
Part#	LI-IMX415-MIPI-081H

APPLICATIONS

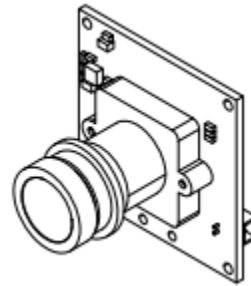
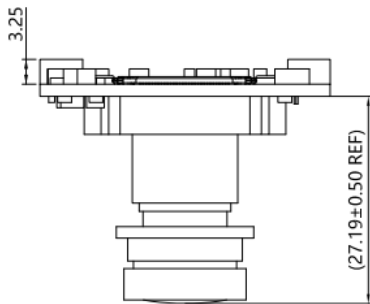
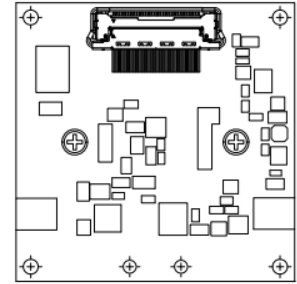
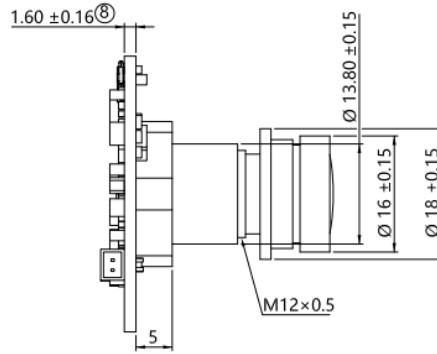
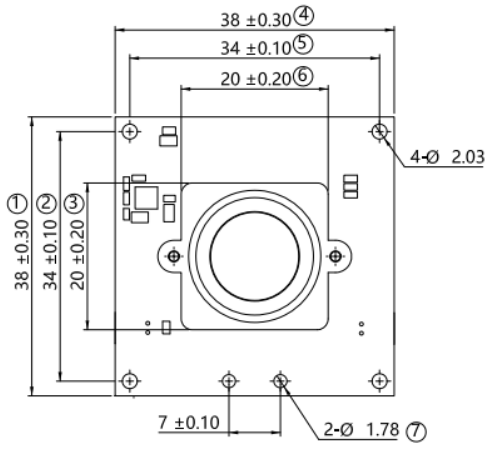
- IoT
- Drone
- Robots

LENS SPECIFICATIONS

Effective Focal Length	4.063 mm
Aperture, F/#	2.29 \pm 5%
Field of View (FOV)	81.7° horizontal
	44.7° vertical
	95.1° diagonal
Optical Distortion	-28.1%
TV Distortion	-9.3%
Relative Illumination	59.1%
IR Filter	650 nm IR cut filter
Lens Mount	M12 x 0.5



DIMENSIONS



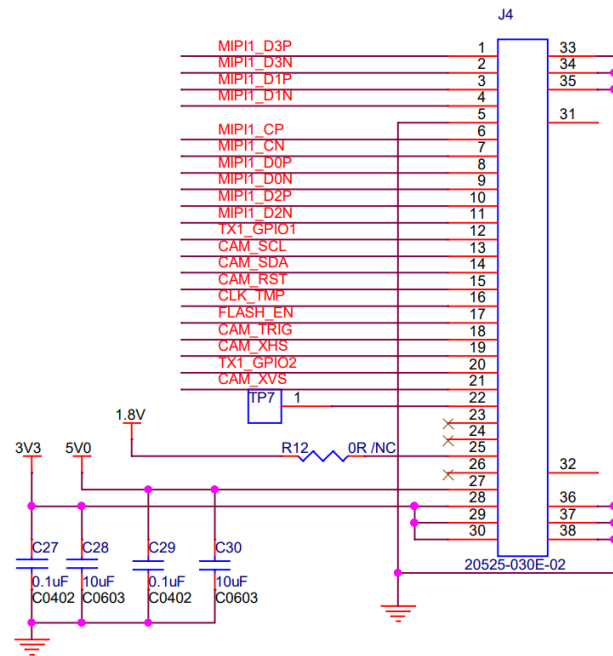
NOTE:

- ⊗ marked are important sizes.
- Other unmarked tolerance is ± 0.3 mm.

Unit: mm

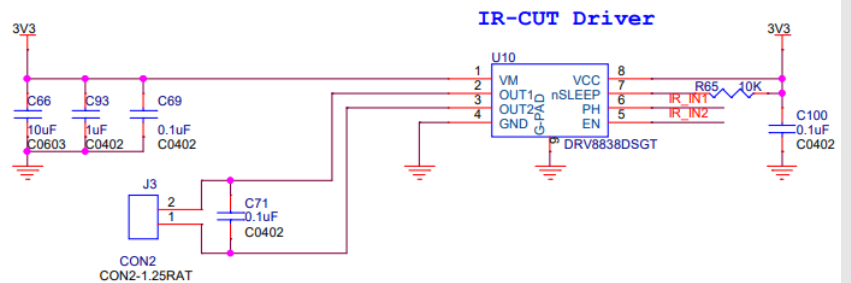
INTERFACE J4

- Connector Part#: 20525-030E-02
- Number of Positions: 30
- Pitch: 0.4 mm
- Mating I-PEX cable: LI-FAW-1233
- Sensor I2C Address: 0x1A (7-bit)
- External Power Supply: 3.3V
- 2.9V (analog), 1.8V and 1.1V are generated from board



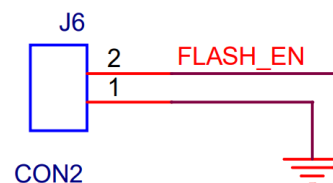
INTERFACE J3

- Part#: 1734829-2
- Number of Positions: 2
- Pitch: 1.25 mm



INTERFACE J6

- Part#: 1734829-2
- Number of Positions: 2
- Pitch: 1.25 mm



● REVISION HISTORY

Revision	Description	Release Date
1.0	First release.	02 Jun 2022
1.1	Replaced 3D images with actual product images.	29 Jul 2022
1.2	Updated description about Interface J4.	15 Nov 2022

910 Auburn Ct, Fremont, CA 94538, USA

Phone: +1-408-263-0988

Fax: +1-408-217-1960

Email: sales@leopardimaging.com

Website: www.leopardimaging.com

