



LEOPARD
IMAGING

LI-AR1335M-MIPI-098H



Address:

910 Auburn Ct
Fremont, CA 94538
USA



Phone:

+1 (408)263-0988

Fax:

+1 (408)217-1960



Sales:

sales@leopardimaging.com

Support:

support@leopardimaging.com

INTRODUCTION

The LI-AR1335M-MIPI-098H is equipped with ON Semiconductor 1/3.2" 13MP CMOS digital image sensor AR1335 which features advanced 1.1 μm pixel BSI technology. This camera outputs 10-bit RAW data.

SPECIFICATIONS

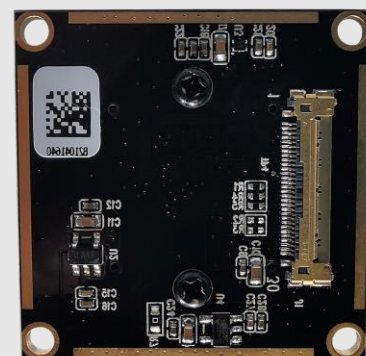
| | |
|--------------------|--|
| Sensor | ON Semiconductor 13MP CMOS Digital Image Sensor AR1335 |
| Optical Format | 1/3.2" |
| Resolution | 4208 (H) x 3120 (V) (active pixels) |
| Pixel Size | 1.1 μm Back Side Illuminated (BSI) |
| Output Format | 10-bit RAW data |
| Color / Mono | Monochrome |
| Maximum Frame Rate | 30 fps @ full resolution |
| Interface | 4-lane MIPI CSI-2 |
| Power Consumption | 217 mA @ 5 VDC (4208 x 3120 @ 12 fps) |
| Operating Temp | -30°C ~ +70°C |
| Storage Temp | -30°C ~ +70°C |
| Weight | ~ 13 g |
| Part# | LI-AR1335M-MIPI-098H |

APPLICATIONS

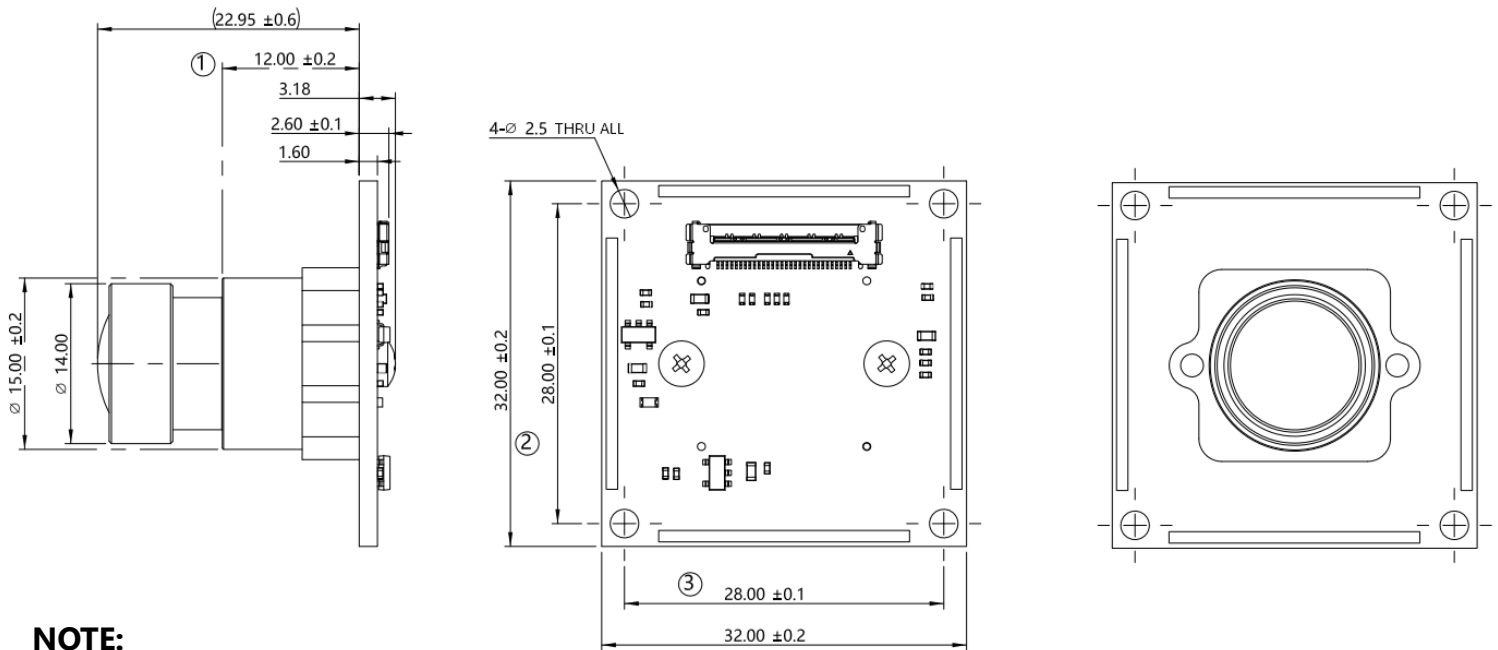
- Digital Still Cameras
- PC Cameras
- IoT
- Robots

LENS SPECIFICATIONS

| | |
|-----------------------|-----------------------|
| Focal Length | 2.704 mm |
| Aperture, F/# | 2.425 \pm 5% |
| FOV (Field of View) | 122.5° (D) @ IH 2.881 |
| | 98.3° (H) @ IH 2.314 |
| | 72.8° (V) @ IH 1.716 |
| Optical Distortion | -41.7% |
| Relative Illumination | 60% |



DIMENSIONS



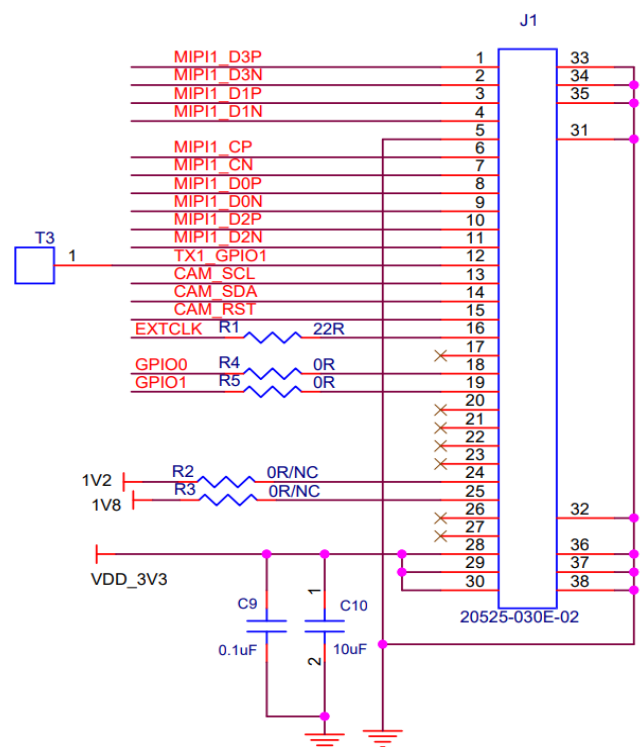
NOTE:

- ⊗ marked are important sizes.
- Tolerances for others unmarked are ± 0.2 mm.

Unit: mm

INTERFACE

- Connector Part#: 20525-030E-02
- Number of positions: 30
- Pitch: 0.4 mm
- Sensor I2C address: 0x6C (8-bit)
- External power supply: 3.3V
- 1.2V, 1.8V, and 2.7V are generated from sensor board



● REVISION HISTORY

| Revision | Description | Release Date |
|----------|----------------|--------------|
| 1.0 | First release. | 28 Jul 2023 |

910 Auburn Ct, Fremont, CA 94538, USA

Phone: +1 (408)263-0988

Fax: +1 (408)217-1960

Email: sales@leopardimaging.com

Website: www.leopardimaging.com

