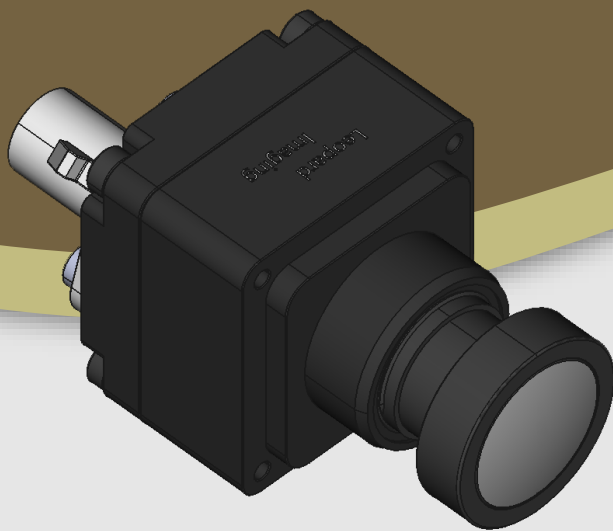




LI-VENUS-IMX623-FP3-118H-R1



Address:

910 Auburn Ct,
Fremont, CA 94538
USA



Phone:

+1 (408)263-0988

Fax:

+1 (408)217-1960



Sales:

sales@leopardimaging.com

Support:

support@leopardimaging.com

INTRODUCTION

The LI-VENUS-IMX623-FP3-118H-R1 is equipped with Sony diagonal 7.45 mm (Type 1/2.42) CMOS solid-state RGGB image sensor IMX623 and FPD-Link III serializer TI953. This camera outputs RAW data.

SPECIFICATIONS

Sensor	Sony Diagonal 7.45 mm CMOS Solid-State RGGB Sensor IMX623
Optical Format	1/2.42"
Resolution	1937 (H) x 1553 (V) (active pixels)
Pixel Size	3.0 x 3.0 μm
Output Format	12-bit / 14-bit / 16-bit / 20-bit / 24-bit RAW
Color / Mono	Color sensor
Maximum Frame Rate	60 fps @ 1936 x 1556
HDR (High Dynamic Range)	Supported
LFM (LED Flicker Mitigation)	Supported
Serializer	TI953 FPD-Link III (DS90UB953-Q1)
Power Supply Range	8 ~ 17 VDC
Connector	FAKRA Z TYPE
IP Rating	IP67
Power Consumption	Approx. 77 mA @ 12 VDC (1936 x 1552 @ 30 fps)
Operating Temp	TBD
Storage Temp	TBD
Weight	TBD
Part#	LI-VENUS-IMX623-FP3-118H-R1

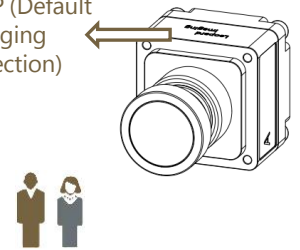
APPLICATIONS

- Automotive
 - ◆ Autonomous Driving
 - ◆ Assisted Driving
 - ◆ Digital Video Recording
 - ◆ Machine Vision

DEFAULT IMAGING DIRECTION

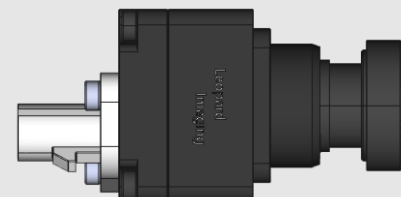
- The logo "Leopard Imaging" is on the TOP.

TOP (Default Imaging Direction)

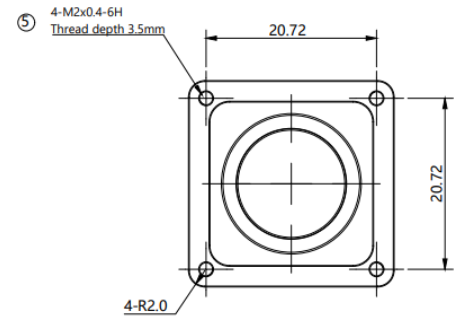
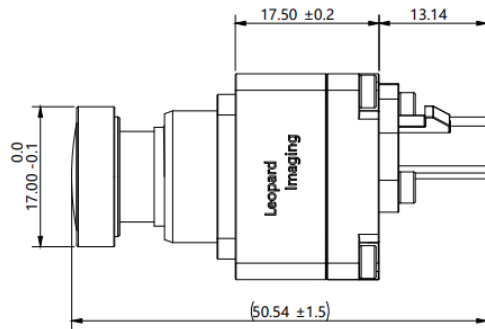
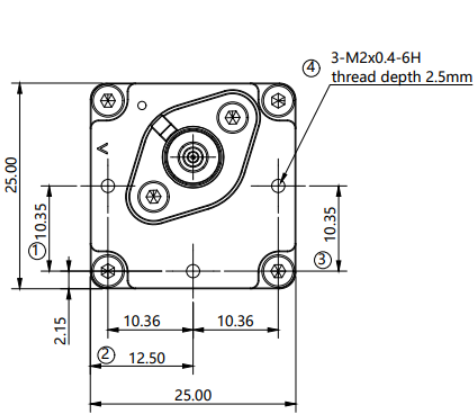


LENS SPECIFICATIONS

Effective Focal Length	3.021 mm \pm 5%
Aperture, F/#	2.0 \pm 5%
Field of View (FOV)	118° horizontal
Optical Distortion	-91.83% \pm 5.0% (f-tan θ)
Relative Illumination	\geq 40%
IR Filter	650 nm IR cut filter
Lens Mount	M12 x P0.5



DIMENSIONS



TOLERANCE TABLE					
LENGTH TOLERANCE		CHAMFER TOLERANCE		ANGLE TOLERANCE	
Size X	Tolerance	Size X	Tolerance	Size X	Tolerance
0.5 < X ≤ 3	±0.1	0.5 < X ≤ 3	±0.2	X ≤ 10	±1°
3 < X ≤ 6	±0.1	3 < X ≤ 6	±0.5	10 < X ≤ 50	±30'
6 < X ≤ 30	±0.2	6 < X ≤ 30	±1	50 < X ≤ 120	±20'
30 < X ≤ 120	±0.3	X > 30	±2	120 < X ≤ 400	±10'
120 < X ≤ 400	±0.5			X > 400	±5'
400 < X ≤ 1000	±0.8				
X > 1000	±1.2				

NOTE:

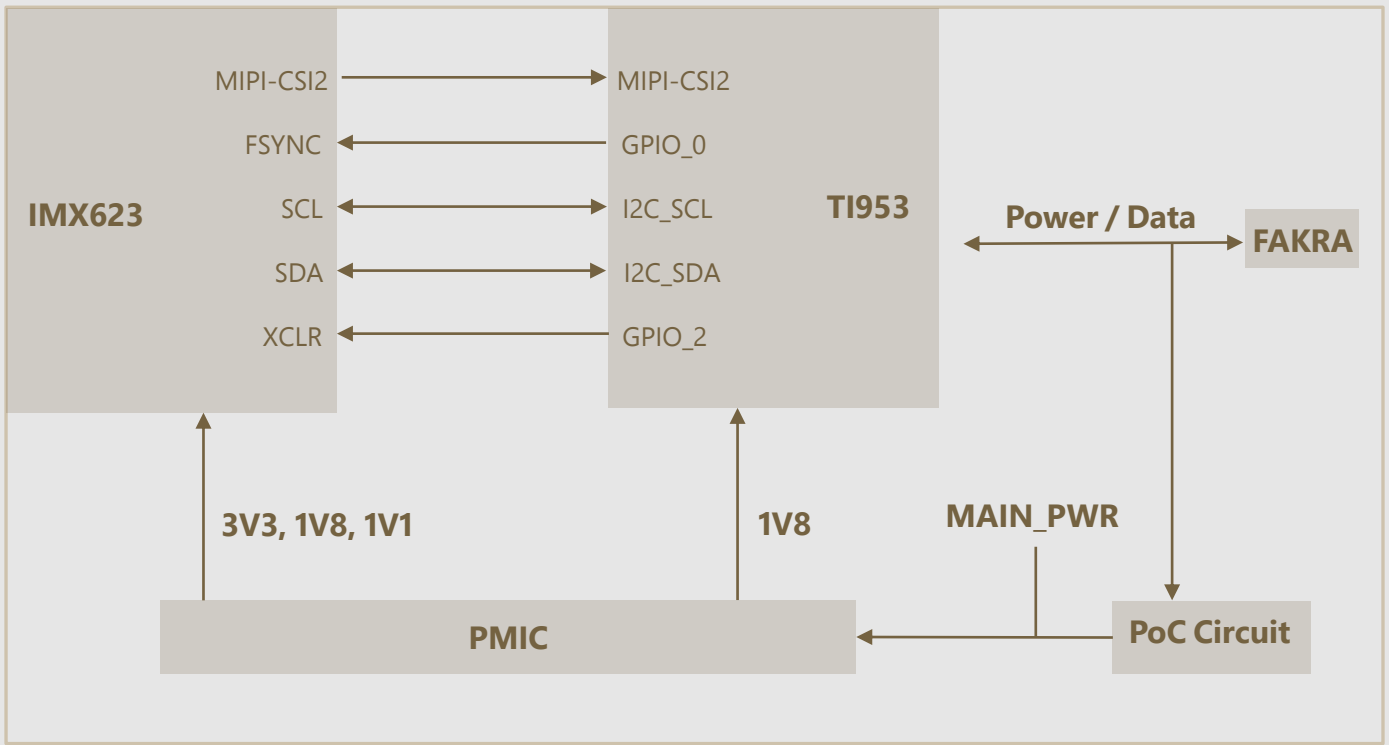
- ⊗ marked are important sizes.
- Tolerances for others unmarked – refer to the Tolerance Table.

Unit: mm

PINOUT CONNECTIONS

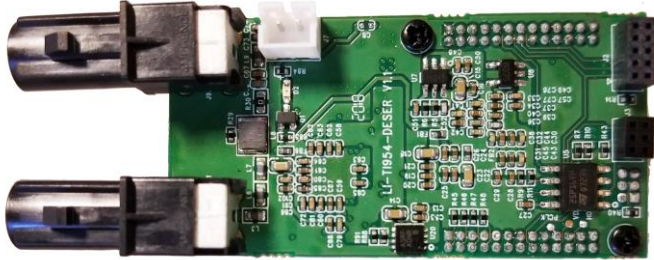
(I2C: 0x34 8-bit)

(I2C: 0x30 8-bit)



USB3.0 CAMERA KIT

LI-FPDLINKIII-USB



Top View



Bottom View

LI-VENUS-IMX623-FP3-118H-R1 can connect to LI-FPDLINKIII-USB as a USB 3.0 camera.

Part#: **LI-USB30-VENUS-IMX623-FP3-118H-R1**

SPECIFICATIONS

- USB 3.0 Super Speed support
- UVC compliant
- Allows customization
- 12 VDC power supply for camera
- Weight: TBD
- Single Coax Cable transmits up to 12 meters PoC (Power over Cable)
- Resolution: 1936 x 1552 @ 30 fps
- Power consumption: Approx. 77 mA @ 12 VDC
- Compatible with Windows, Linux OS and other OS which have UVC drivers



BOM

#	Items	QTY
1	LI-VENUS-IMX623-FP3-118H-R1	1
2	LI-FPDLINKIII-USB	1
3	3-Meter Fakra Cable	1
4	12 VDC Power Supply	1
5	USB3.0 Cable	1

SDK SUPPORTED

- Camera Tool Source Code in C#
- Capture & Display
- Register Access Function

● REVISION HISTORY

Revision	Description	Release Date
0.1	Initial draft.	22 Aug 2023
0.2	1. Changed Part# from LI-VENUS-IMX623-FP3-118H to LI-VENUS-IMX623-FP3-118H-R1. 2. Updated 3D images and IP rating.	04 Sep 2023

910 Auburn Ct, Fremont, CA 94538, USA
Phone: +1 (408)263-0988
Fax: +1 (408)217-1960
Email: sales@leopardimaging.com
Website: www.leopardimaging.com

