



LI-JTX1-SUB-ADPT



Address:

910 Auburn Ct
Fremont, CA 94538
USA



Phone:

+1 (408)263-0988

Fax:

+1 (408)217-1960



Sales:

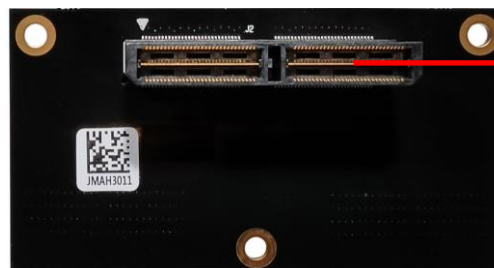
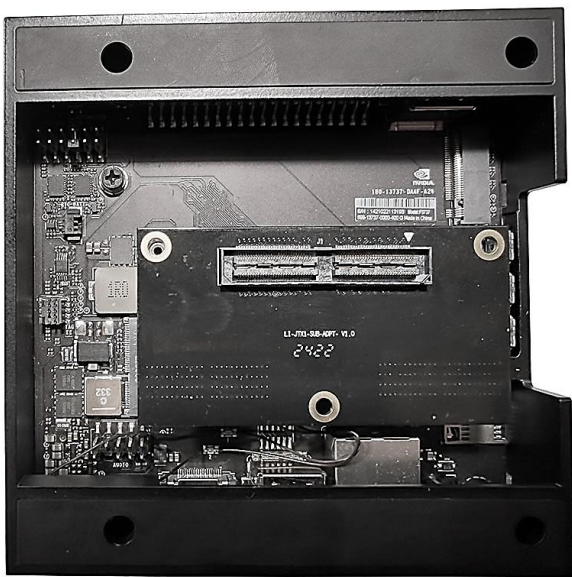
sales@leopardimaging.com

Support:

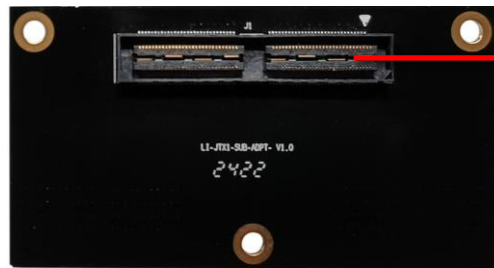
support@leopardimaging.com

TECHNICAL FEATURES

- Used as a standoff adapt board to NVIDIA® Jetson AGX Orin™ developer kit or Xavier™ developer kit
- Compatible with most Leopard Imaging MIPI adapt boards, including LI-JTX1-MIPI-ADPT, LI-JXAV-MIPI-ADPT-4CAM, LI-JTX1-MIPI-ADPT-6CAM, LI-JXAV-MIPI-ADPT-8CAM and E3653-A03
- Dimensions: 75.0 (L) x 40.2 (W) x 20.1 (D) mm
- Weight: ~ 19 g
- Part#: **LI-JTX1-SUB-ADPT** (High Connector)

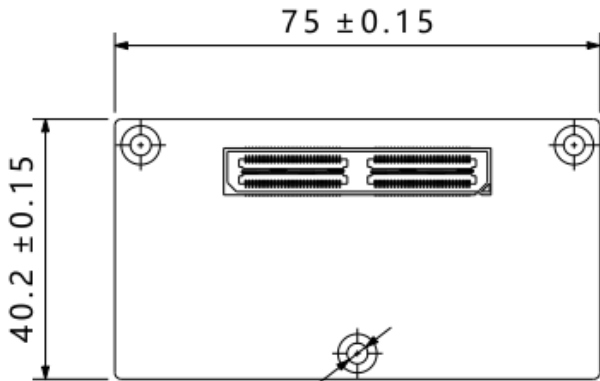


To NVIDIA
Developer Kit

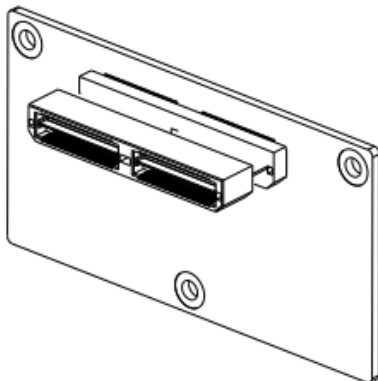
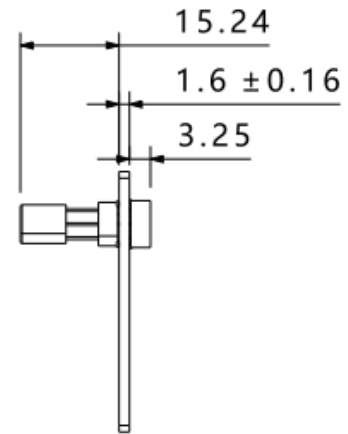
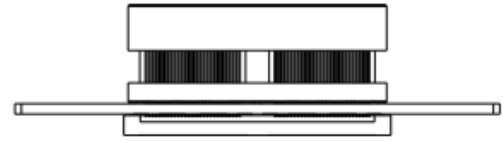
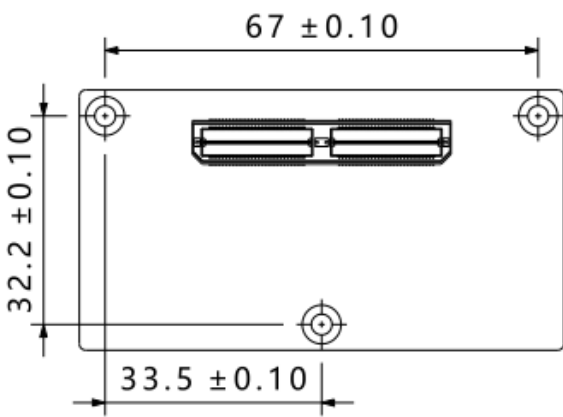


To Leopard
Imaging MIPI
Adapt Board

DIMENSIONS



3- ϕ 3.2



TOLERANCE TABLE					
LENGTH TOLERANCE		CHAMFER TOLERANCE		ANGLE TOLERANCE	
Size X	Tolerance	Size X	Tolerance	Size X	Tolerance
0.5 < X ≤ 3	±0.1	0.5 < X ≤ 3	±0.2	X ≤ 10	±1'
3 < X ≤ 6	±0.1	3 < X ≤ 6	±0.5	10 < X ≤ 50	±30'
6 < X ≤ 30	±0.2	6 < X ≤ 30	±1	50 < X ≤ 120	±20'
30 < X ≤ 120	±0.3	X > 30	±2	120 < X ≤ 400	±10'
120 < X ≤ 400	±0.5			X > 400	±5'
400 < X ≤ 1000	±0.8				
X > 1000	±1.2				

NOTE:

- \otimes marked are important sizes.
- Tolerances for others unmarked refer to the Tolerance table.

Unit: mm

● INTERFACE J1 (To LI MIPI Adapt Board)

- Part#: QSH-060-01-H-D-A
- Number of Positions: 120
- Number of Rows: 2
- Pitch: 0.50 mm



● INTERFACE J2 (To NVIDIA Orin or Xavier Developer Kit)

- Part#: QTH-060-04-H-D-A-TR
- Number of Positions: 120
- Number of Rows: 2
- Pitch: 0.5 mm



● REVISION HISTORY

Revision	Description	Release Date
1.0	First release.	07 Aug 2023

910 Auburn Ct, Fremont, CA 94538, USA
Phone: +1 (408)263-0988
Fax: +1 (408)217-1960
Email: sales@leopardimaging.com
Website: www.leopardimaging.com

