



LI-S5K1H1SBRCCG-GM2B-120H-SF



Address:

910 Auburn Ct
Fremont, CA 94538
USA



Phone:

+1 (408)263-0988

Fax:

+1 (408)217-1960



Sales:

sales@leopardimaging.com

Support:

support@leopardimaging.com

INTRODUCTION

The LI-S5K1H1SBRCCG-GM2B-120H-SF is equipped with Samsung automotive 1/1.7" 8.3MP CMOS RCCG image sensor S5K1H1SB which has On-Chip HDR and LFM. Its serializer is Maxim GMSL2 serializer MAX96717. This camera outputs RAW image data.

SPECIFICATIONS

Sensor	Samsung Automotive 1/1.7" 8.3MP CMOS RCCG Image Sensor S5K1H1SB
Optical Format	1/1.7"
Resolution	3856 (H) x 2176 (V) (active pixels)
Pixel Size	2.1 x 2.1 μ m
Output Format	20-bit / 16-bit / 14-bit / 12-bit RAW
Color / Mono	Color sensor
Maximum Frame Rate	36 fps (intra-scene) @ 8.3MP with HDR4_NEW or HDR4_VS 45 fps @ all operation mode
HDR (High Dynamic Range)	Supported
LFM (LED Flicker Mitigation)	Supported
Serializer	Maxim MAX96717
IP Rating	TBD
Power Supply Range	7 ~ 24 VDC
Connector	FAKRA Z TYPE
Power Consumption	98 mA @ 12 VDC (3840 x 2160 @ 20 fps)
Operating Temp	TBD
Storage Temp	TBD
Weight	~ 45 g
Part#	LI-S5K1H1SBRCCG-GM2B-120H-SF

APPLICATIONS

- Automotive
 - ◆ Autonomous Driving
 - ◆ High Performance ADAS
 - ◆ Front Forwarding Camera
 - ◆ Surround Sensing / Viewing Camera

DEFAULT IMAGING DIRECTION

- The logo "Leopard Imaging" is on the TOP.

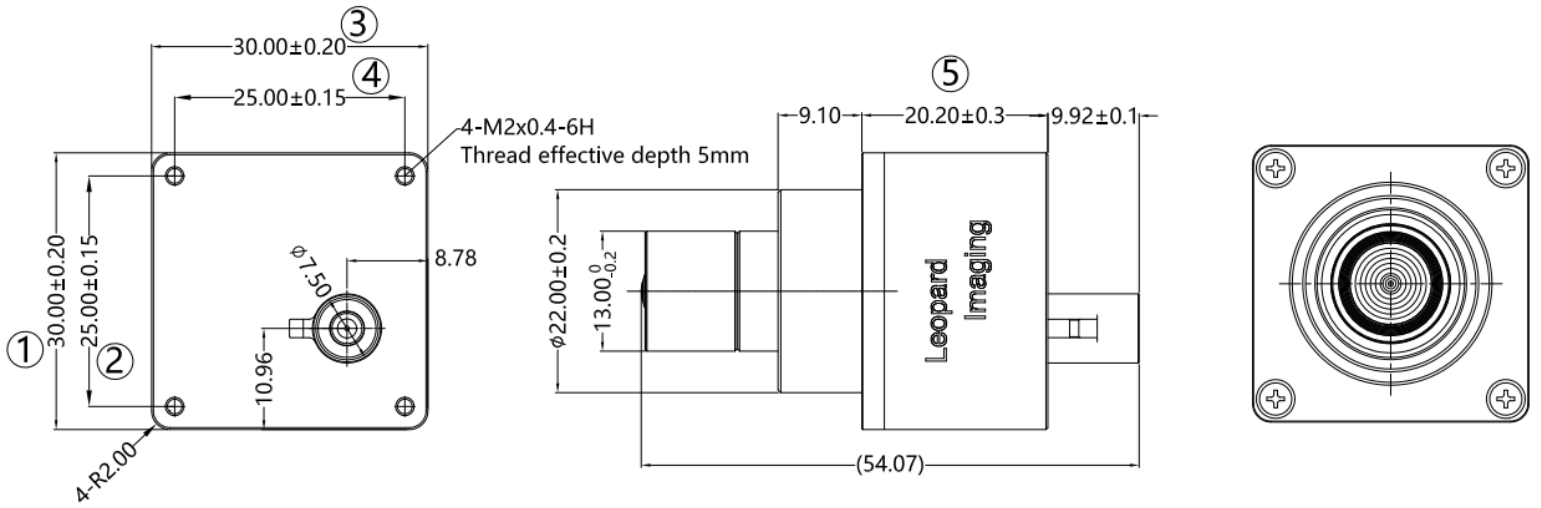
TOP (Default Imaging Direction)

LENS SPECIFICATIONS

Effective Focal Length	5.07 mm \pm 5%
Aperture, F/#	1.6 \pm 5%
Field of View (FOV)	121° \pm 2° horizontal
	54.8° \pm 2° vertical
Relative Illumination	(65 \pm 5)% @ HFOV
IR Cut Filter	700 nm IR cut filter
Lens Mount	M16 x P0.5



DIMENSIONS



NOTE:

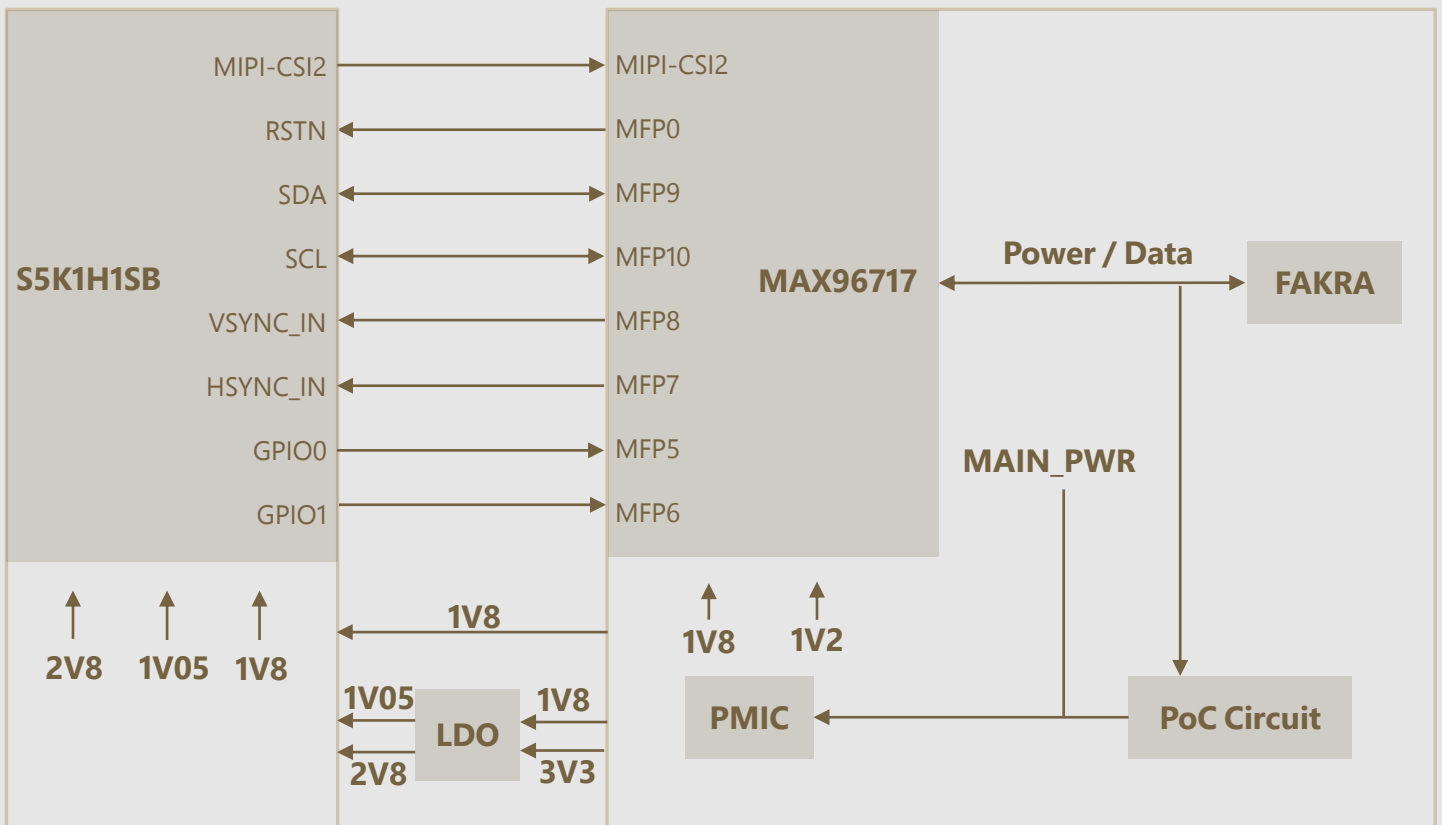
- ⊗ marked are important sizes.
- Tolerances for others unmarked are ± 0.3 mm.

Unit: mm

PINOUT CONNECTIONS

(I2C: 0x10 7-bit)

(I2C: 0x84 8-bit)



● REVISION HISTORY

Revision	Description	Release Date
0.1	Initial draft.	25 Jun 2023

910 Auburn Ct, Fremont, CA 94538, USA

Phone: +1 (408)263-0988

Fax: +1 (408)217-1960

Email: sales@leopardimaging.com

Website: www.leopardimaging.com

