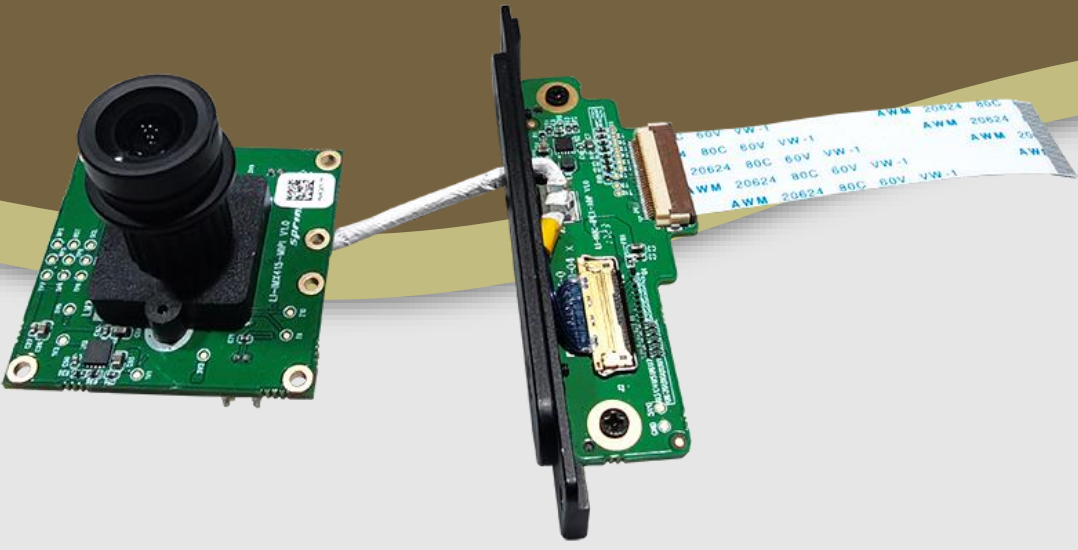




# LI-NUC-ADP-IMX415-MIPI-081H



**Address:**

910 Auburn Ct  
Fremont, CA 94538  
USA



**Phone:**

+1 (408)263-0988

**Fax:**

+1 (408)217-1960



**Sales:**

[sales@leopardimaging.com](mailto:sales@leopardimaging.com)

**Support:**

[support@leopardimaging.com](mailto:support@leopardimaging.com)

## KEY FEATURES

- Compatible with Intel® NUC system
- MIPI CSI-2 interface
- Adapter board: LI-NUC-IPEX-ADP
- Sensor: Sony Diagonal 6.43 mm (Type 1/2.8) CMOS Image Sensor IMX415
- Active pixels: 3864 (H) x 2176 (V)
- Power consumption (Intel NUC + LI-NUC-ADP-IMX415-MIPI-081H)

Full resolution @ 30 fps	165 mA @ 3.3 VDC
Standby	21 mA @ 3.3 VDC

- Color camera
- Length of the I-PEX cable: 300 mm
- Supports multiple length cables
- Connector Part# (sensor board): 20525-030E-02
- Allows customization
- Part#: **LI-NUC-ADP-IMX415-MIPI-081H**

## LENS SPECIFICATIONS

Effective Focal Length	4.063 mm
Aperture, F/#	2.29 ± 5%
Field of View (FOV)	81.7° horizontal
	44.7° vertical
	95.1° diagonal
Optical Distortion	-28.1%
TV Distortion	-9.3%
Relative Illumination	59.1%
IR Filter	650 nm IR cut filter
Lens Mount	M12 x 0.5

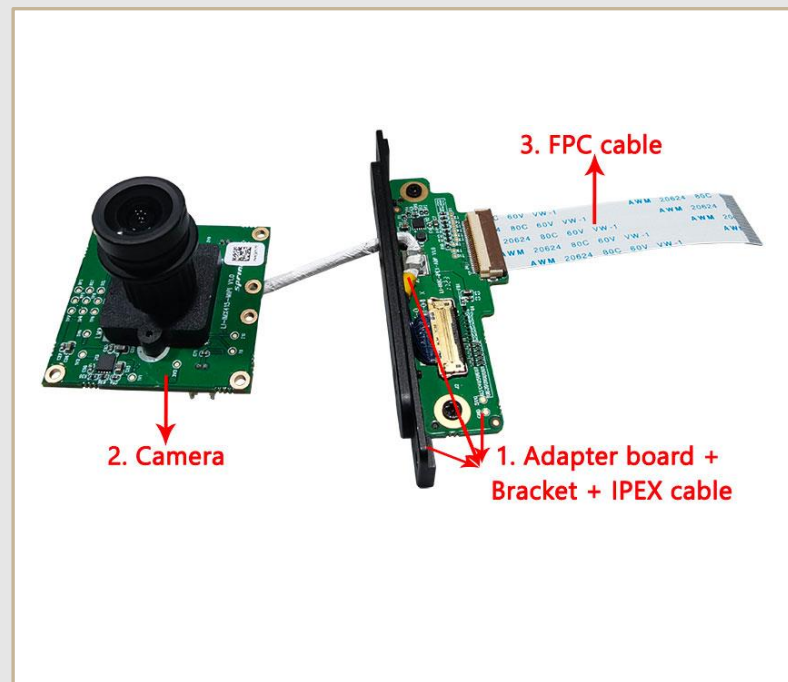
## APPLICATIONS

- IoT
- Robots
- Camera on Laptop

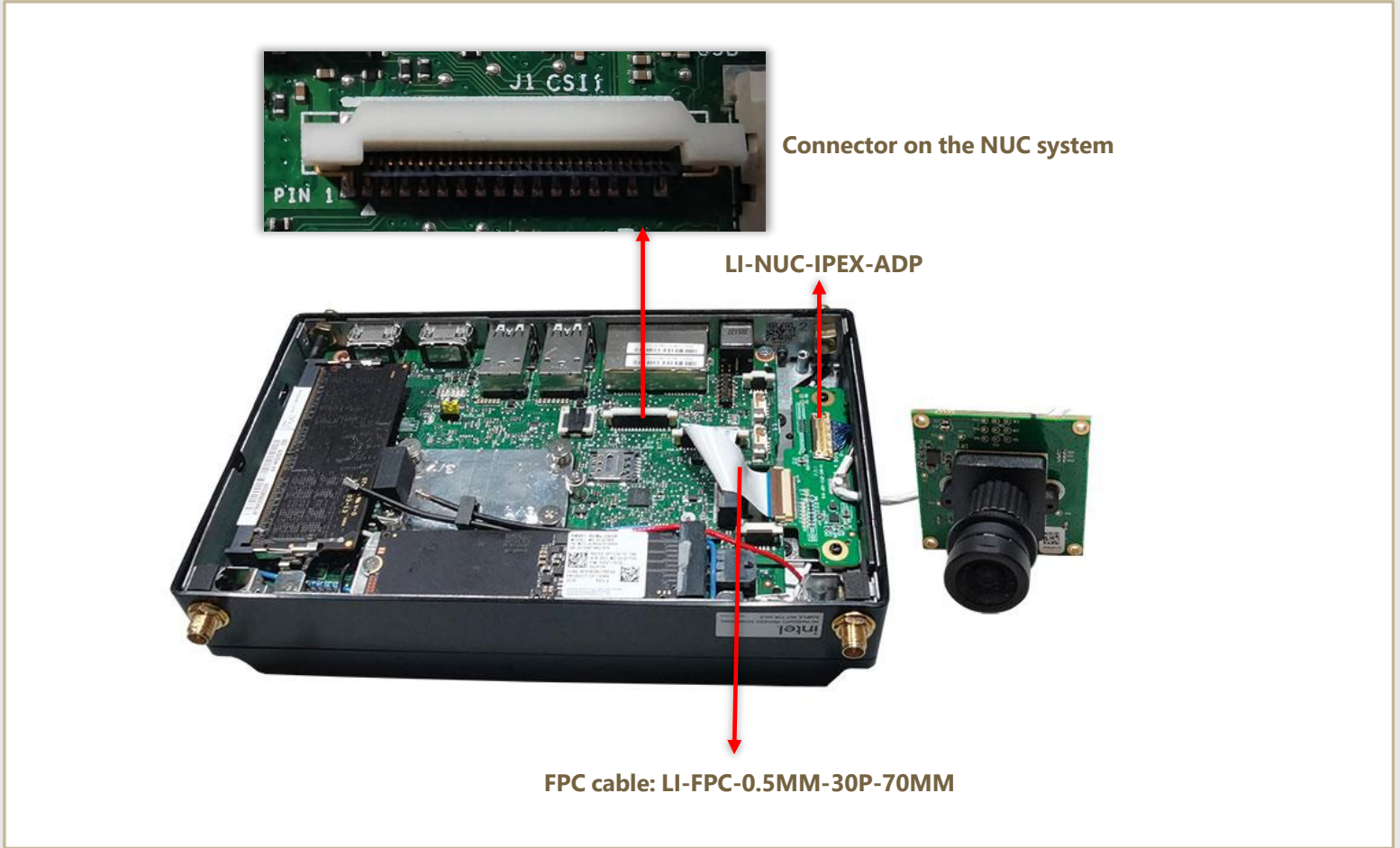
## BOM

**NOTE:** Intel® NUC system is **NOT** included.

#	Items	Leopard P/N	QTY	Unit
1	Adapter board + Bracket + IPEX cable	LI-NUC-IPEX-ADP-B <b>NOTE:</b> Adapter P/N: LI-NUC-IPEX-ADP IPEX cable P/N: FAW-1233-03	1	Set
2	Camera	LI-IMX415-MIPI-081H	1	Piece
3	FPC Cable	LI-FPC-0.5MM-30P-70MM	1	Piece

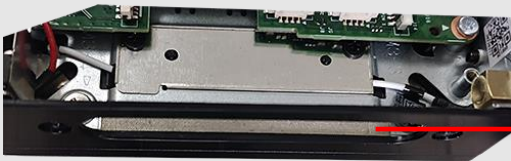


## CABLE CONNECTION (Deployment Inside)



### NOTE:

- Intel® NUC system is **NOT** included
- Connector on the Intel® NUC system to FPC cable: **J1 CSI1**
- Connector on the LI-NUC-IPEX-ADP to FPC cable: **FH12-30S-0.5SH (55)**
- Connector on the LI-NUC-IPEX-ADP to camera: **20525-030E-02**
- Either side of the FPC cable could be connected to the NUC system or the LI-NUC-IPEX-ADP
- While installing, please refer to the following:

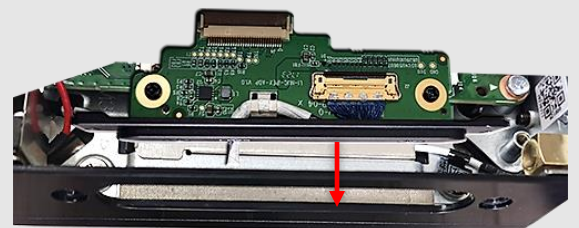


1. Uninstall original plate on the NUC.



2. Assemble the adapter board, bracket, IPEX cable and FPC cable together.

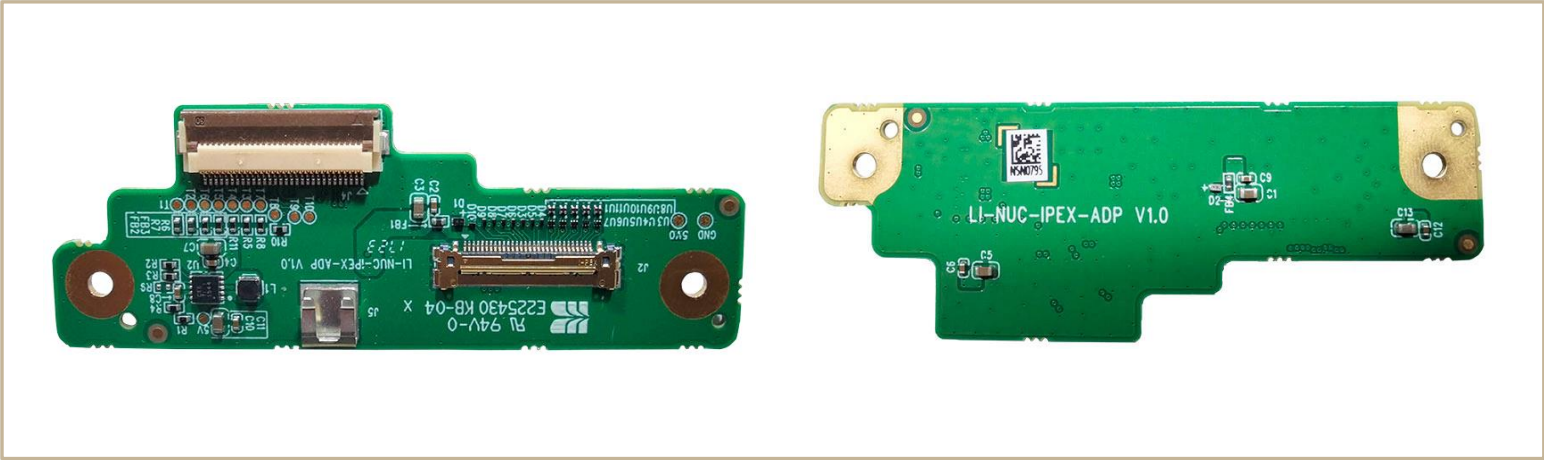
3. Install the assembled to the NUC. Then, connect the camera.



## CABLE CONNECTION (Viewing from Outside)



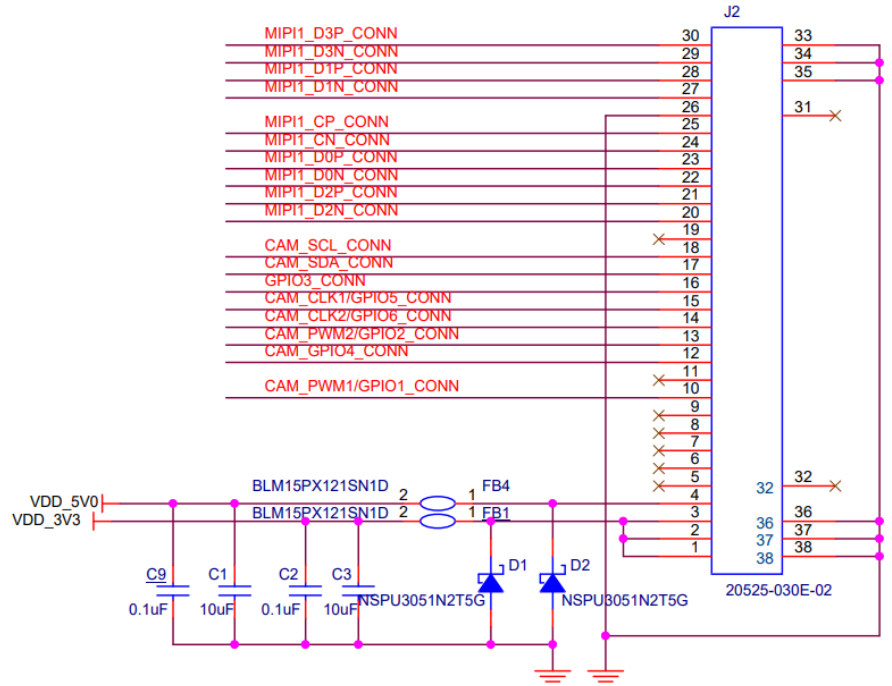
# LI-NUC-IPEX-ADP



## INTERFACES

### Interface J2 (To Camera)

- Part#: 20525-030E-02
- Number of Positions: 30
- Pitch: 0.4 mm
- Mating I-PEX Cable: FAW-1233-XX

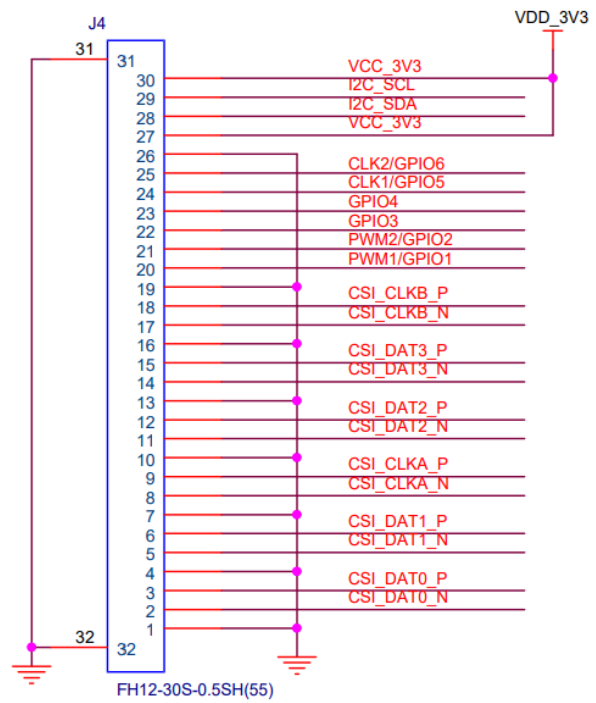


# LI-NUC-IPEX-ADP

## INTERFACES

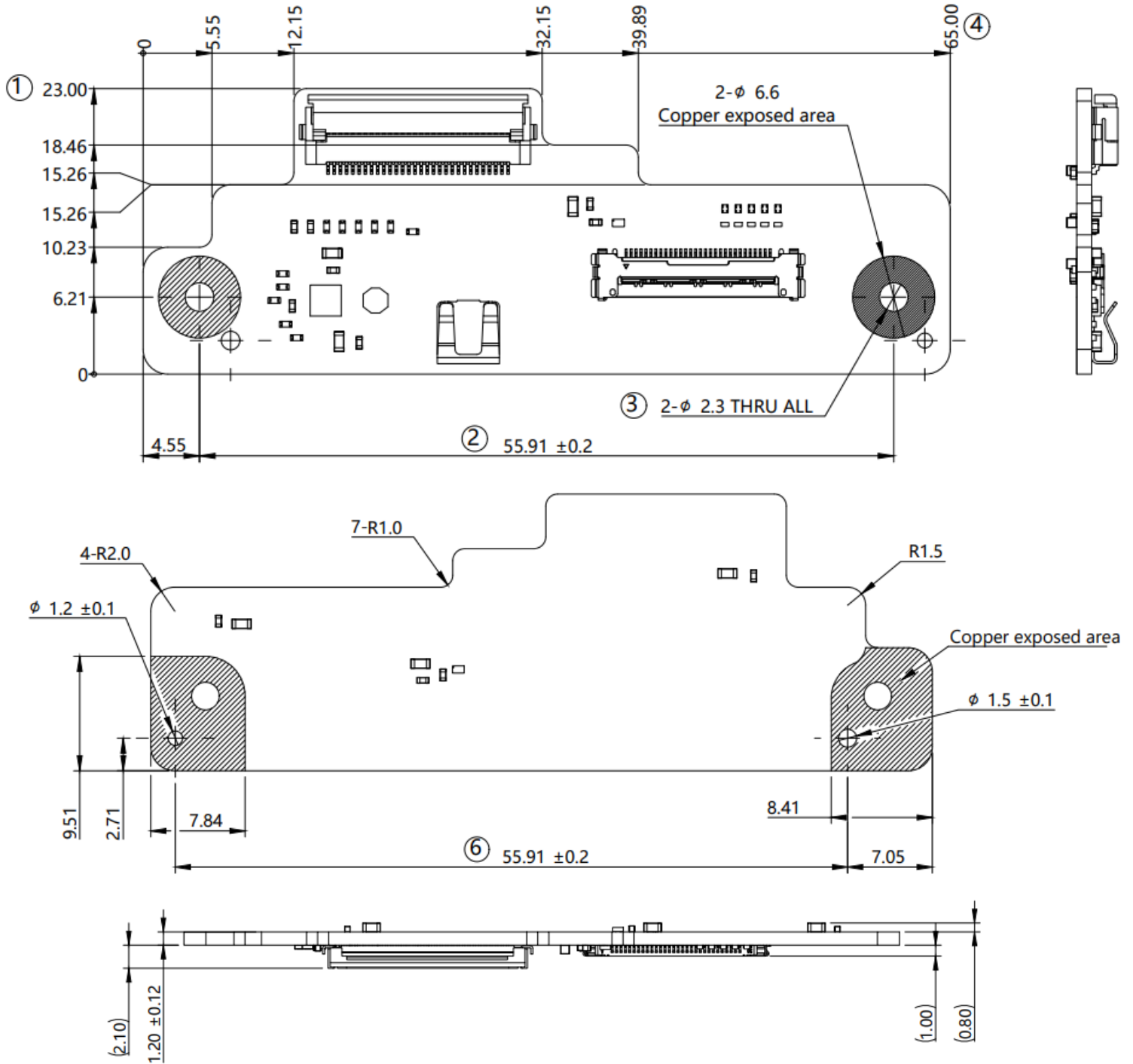
### Interface J4 (To Intel® NUC System)

- Part#: FH12-30S-0.5SH (55)
- Number of Positions: 30
- Pitch: 0.5 mm
- Mating I-PEX Cable: FAW-1233-XX



# LI-NUC-IPEX-ADP

## DIMENSIONS



### NOTE:

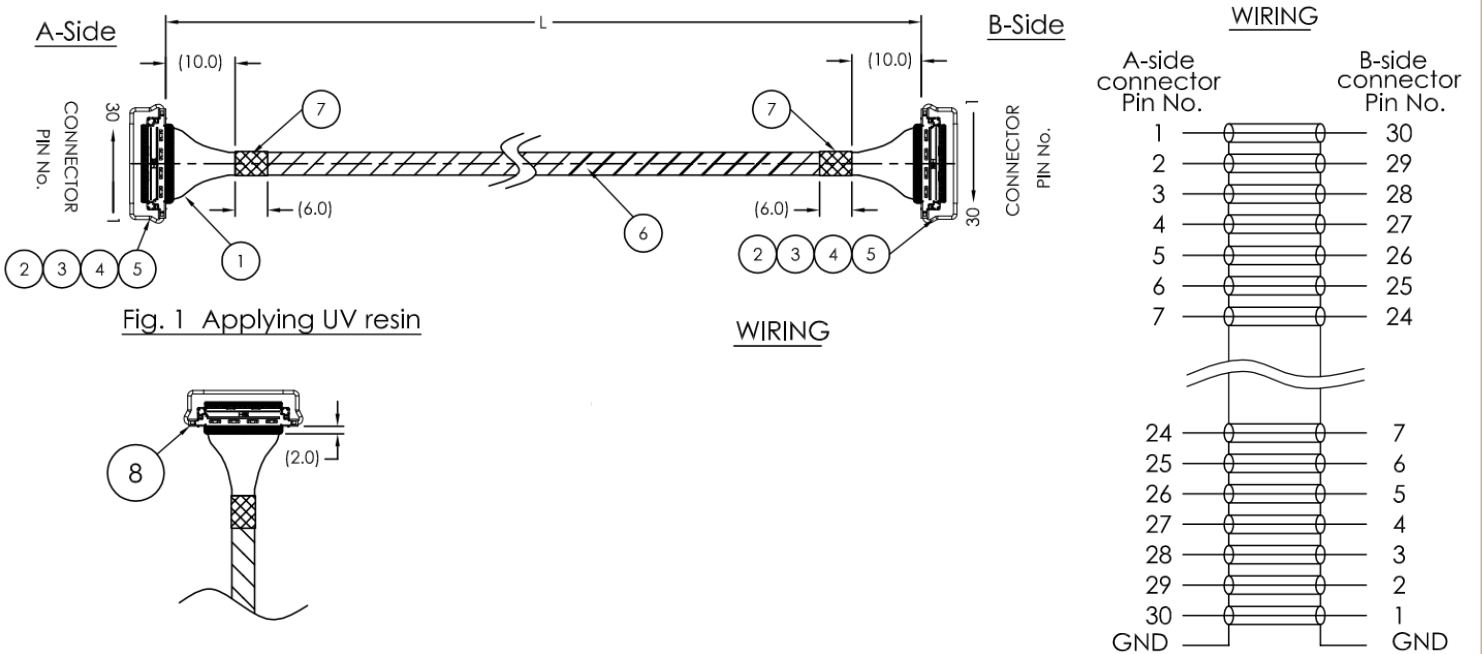
- ⊗ marked are important sizes.
- Tolerances for the unmarked are ± 0.15 mm.

Unit: mm

# FAW-1233-03 Cable



## MECHANICAL DIAGRAM



### NOTE:

- Total length:  $300.0 \pm 10.0$ .
- Apply UV resin at the end of connector to cover cables both sides of the cable assembly (Fig.1).

Unit: mm



## LI-FPC-0.5MM-30P-70MM



### FEATURES

- Pitch: 0.5 mm
- Number of pins: 30
- Width: 15 ± 1 mm
- Length: 70 mm
- Bifacial: contacts are on different side
- Either side of the FPC cable could be connected to the Intel® NUC system or the LI-NUC-IPEX-ADP

# LI-IMX415-MIPI-081H



## CAMERA SPECIFICATIONS

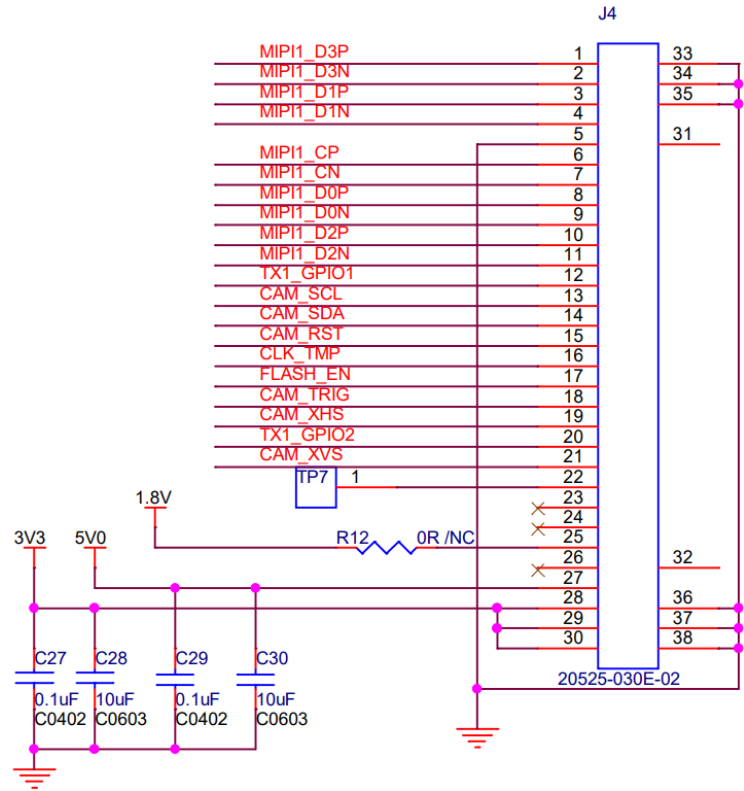
Sensor	Sony Diagonal 6.43 mm (Type 1/2.8) CMOS Image Sensor IMX415
Optical Format	1/2.8"
Resolution	3864 (H) x 2176 (V) (active pixels)
Pixel Size	1.45 x 1.45 $\mu\text{m}$
Output Format	10-bit / 12-bit RAW data
ISP	Not included
Color / Mono	Color sensor
Interface	4-lane MIPI CSI-2
Operating Temp	-20°C ~ +70°C
Storage Temp	-20°C ~ +70°C
Lens Mount	M12
Size	38 (L) x 38 (W) x 32.04 (D) mm
Weight	~ 17 g
Part#	LI-IMX415-MIPI-081H

# LI-IMX415-MIPI-081H

## INTERFACES

### Interface J4

- Connector Part#: 20525-030E-02
- Number of Positions: 30
- Pitch: 0.4 mm
- Mating I-PEX cable: LI-FAW-1233
- Sensor I2C Address: 0x1A (7-bit)
- External Power Supply: 3.3V
- 2.9V (analog), 1.8V and 1.1V are generated from board



### Interface J3 & J6

#### Interfaces

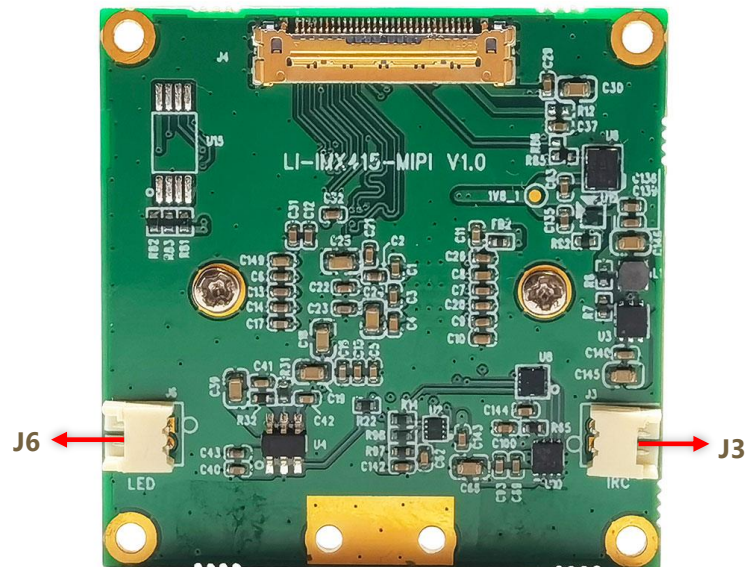
#### Description

J3 for IR-Cut  
switcher

- Part#: 1734829-2
- Number of Positions: 2
- Pitch: 1.25 mm

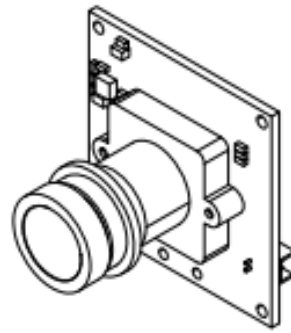
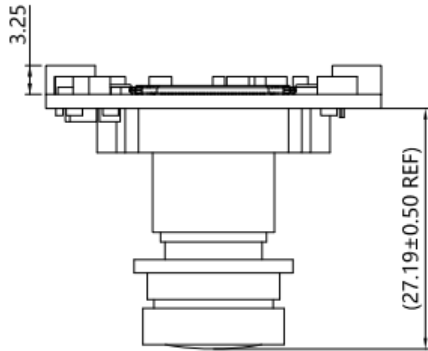
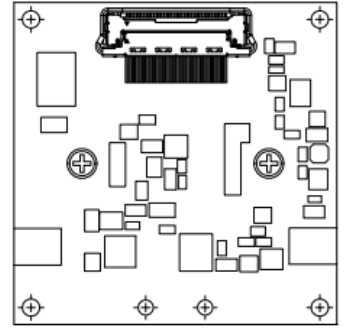
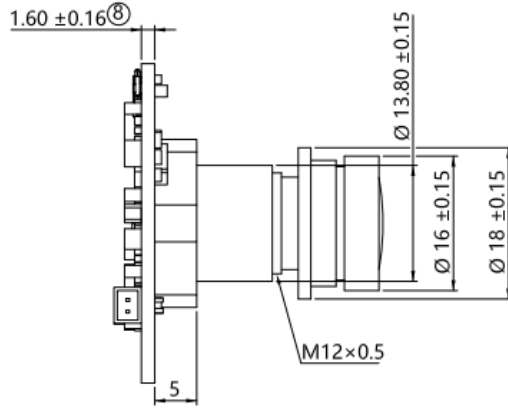
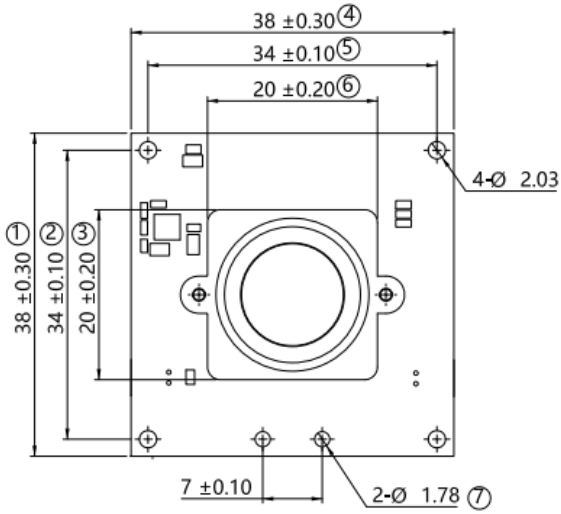
J6 for  
Flash\_EN  
(Reserved IO)

- Part#: 1734829-2
- Number of Positions: 2
- Pitch: 1.25 mm



# LI-IMX415-MIPI-081H

## DIMENSIONS



### NOTE:

- ⊗ marked are important sizes.
- Tolerances for the unmarked are  $\pm 0.3 \text{ mm}$ .

Unit: mm

## ● REVISION HISTORY

Revision	Description	Release Date
1.0	First release.	04 Jul 2023
1.1	Added power consumption in the "Key Features" part.	18 Jul 2023

910 Auburn Ct, Fremont, CA 94538, USA

Phone: +1-408-263-0988

Fax: +1-408-217-1960

Email: [sales@leopardimaging.com](mailto:sales@leopardimaging.com)

Website: [www.leopardimaging.com](http://www.leopardimaging.com)

