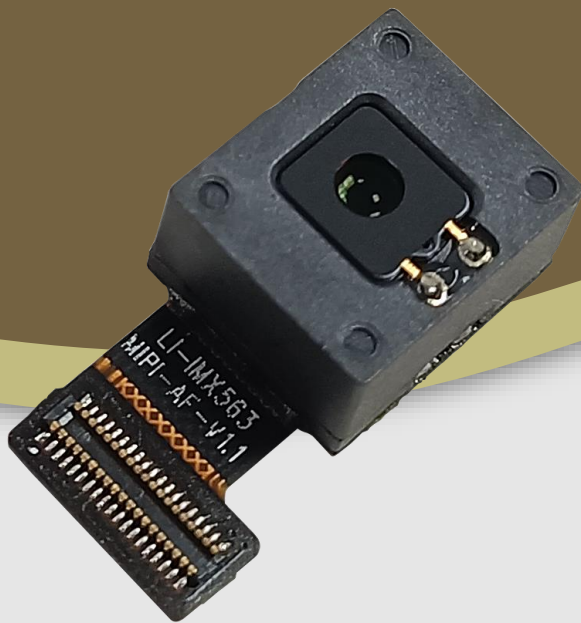




LI-IMX563-MIPI-AF



Address:

910 Auburn Ct
Fremont, CA 94538
USA



Phone:

+1 (408)263-0988

Fax:

+1 (408)217-1960



Sales:

sales@leopardimaging.com

Support:

support@leopardimaging.com

INTRODUCTION

The LI-IMX563-MIPI-AF is equipped with Sony diagonal 7.05 mm (Type 1/2.55) 12MP CMOS image sensor IMX563 which could achieve high speed image capturing, high sensitivity and low noise image. This camera is assembled with TLens for auto focus and outputs RAW data.

SPECIFICATIONS

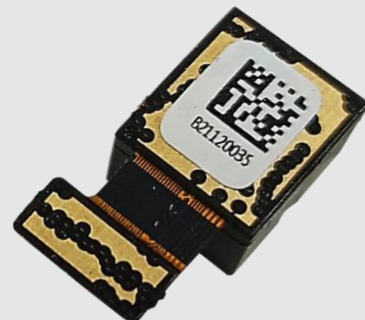
Sensor	Sony Diagonal 7.05 mm 12MP CMOS Sensor IMX563
Optical Format	1/2.55"
Resolution	4032 (H) x 3024 (V) (active pixels)
Pixel Size	1.4 x 1.4 μm
Output Format	8-bit / 10-bit RAW data
Auto Focus	Supported
TLens for Auto Focus	Yes
Color / Mono	Color sensor
Maximum Frame Rate	120 fps @ full resolution 240 fps @ 4K2K 960 fps @ 1080P
Interface	4-lane MIPI CSI-2
Power Consumption	< 0.5 W
Operating Temp	-20°C ~ +70°C
Storage Temp	-30°C ~ +80°C
Weight	~ 0.4 g
Part#	LI-IMX563-MIPI-AF

APPLICATIONS

- Digital Still Cameras
- PC Cameras
- IoT
- Robots

LENS SPECIFICATIONS

Effective Focal Length	3.94 mm
Aperture, F/#	1.9
FOV	82.9° diagonal
	70.4° horizontal
	55.7° vertical
TV Distortion	< 1.5%

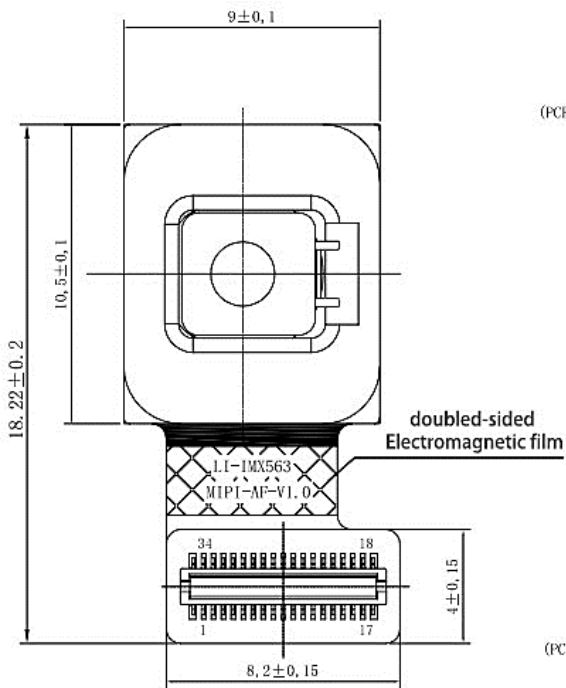


DIMENSIONS

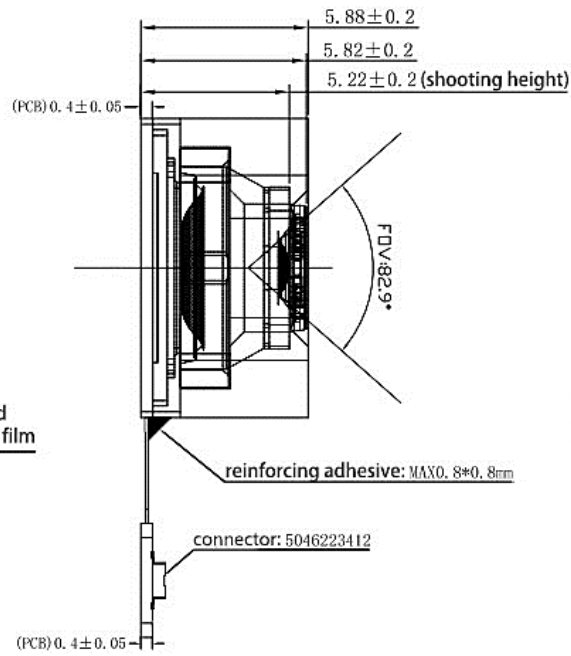


Capture Direction

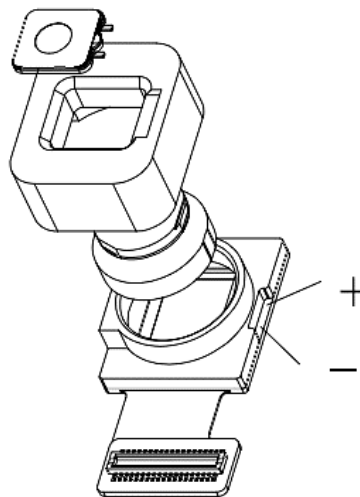
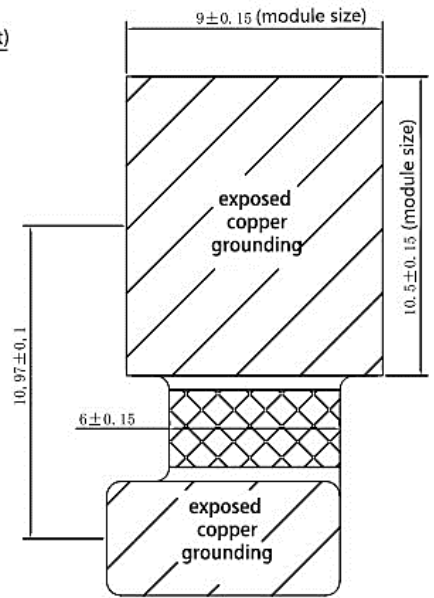
TOP VIEW



SIDE VIEW



BOTTOM VIEW



Unit: mm

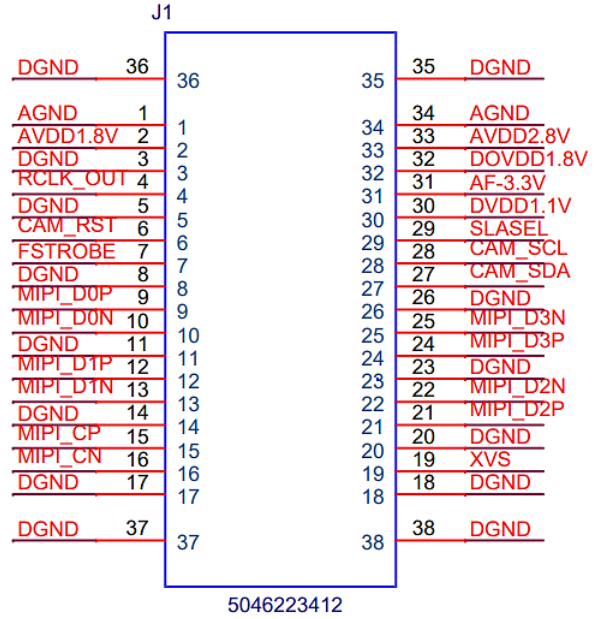
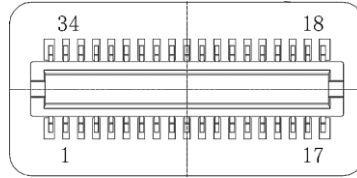
PIN ASSIGNMENT

NO.	Name	I/O	A/D	Description	NO.	Name	I/O	A/D	Description
1	AGND	GND	A	Analog ground	34	AGND	GND	A	Analog ground
2	AVDD1.8V	Power	A	VANA power supply	33	AVDD2.8V	Power	A	VANA power supply
3	DGND	Power	D	Digital ground	32	DOVDD1.8V	Power	D	Input / output power supply
4	RCLK_OUT	I	D	Clock input	31	AF-3.3V			Reserved
5	DGND	Power	D	Digital ground	30	DVDD1.1V	Power	D	VDIG power supply
6	CAM_RST	I	D	Chip clear (pull down internal)	29	SLASEL	I	D	I ² C slave address select (pull-down internal)
7	FSTROBE	O	D	Flash strobe	28	CAM_SCL	I/O	D	I ² C pin
8	DGND	Power	D	Digital ground	27	CAM_SDA	I	D	I ² C Pin
9	MIPI_D0P	O	D	MIPI output	26	DGND	Power	D	Digital ground
10	MIPI_D0N	O	D	MIPI output	25	MIPI_D3N	O	D	MIPI output
11	DGND	Power	D	Digital ground	24	MIPI_D3P	O	D	MIPI output
12	MIPI_D1P	O	D	MIPI output	23	DGND	Power	D	Digital ground
13	MIPI_D1N	O	D	MIPI output	22	MIPI_D2N	O	D	MIPI output
14	DGND	Power	D	Digital ground	21	MIPI_D2P	O	D	MIPI output
15	MIPI_CP	O	D	MIPI output	20	DGND	Power	D	Digital ground
16	MIPI_CN	O	D	MIPI output	19	NC			
17	DGND	Power	D	Digital ground	18	DGND	Power	D	Digital ground

INTERFACE

Interface J1 (Connector)

- Part#: 5046223412
- Number of Positions: 34
- Number of Rows: 2
- Pitch: 0.35 mm



● REVISION HISTORY

Revision	Description	Release Date
1.0	First release.	17 Jul 2023

910 Auburn Ct, Fremont, CA 94538, USA

Phone: +1 (408)263-0988

Fax: +1 (408)217-1960

Email: sales@leopardimaging.com

Website: www.leopardimaging.com

