



LI-VENUS-OX03D4C-GM2A-124H



Address:

910 Auburn Ct
Fremont, CA 94538
USA



Phone:

+1 (408)263-0988

Fax:

+1 (408)217-1960



Sales:

sales@leopardimaging.com

Support:

support@leopardimaging.com

INTRODUCTION

The LI-VENUS-OX03D4C-GM2A-124H is equipped with OmniVision 1/3.45" RCCB CMOS 1920 x 1536 high dynamic range (HDR) high definition (HD) image sensor OX03D4C and Maxim GMSL2 serializer MAX9295A/B. This camera outputs 1920 x 1536 data.

SPECIFICATIONS

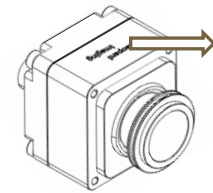
Sensor	OmniVision RCCB CMOS HDR HD Sensor OX03D4C
Optical Format	1/3.45"
Resolution	1920 (H) x 1536 (V) (active pixels)
Pixel Size	2.1 x 2.1 μ m
Output Format	YUV, RAW
Color / Mono	Color sensor
Maximum Frame Rate	10-bit: 30 fps @ 1920 x 1536
HDR (High Dynamic Range)	Supported
LFM (LED Flicker Mitigation)	Supported
Serializer	Maxim MAX9295A/B
Power Supply Range	8 ~ 17 VDC
Connector	FAKRA Z TYPE
IP Rating	TBD
Power Consumption	92 mA @ 12 VDC (1928 x 1536 @ 30 fps)
Operating Temp	TBD
Storage Temp	TBD
Weight	TBD
Part#	LI-VENUS-OX03D4C-GM2A-124H

APPLICATIONS

- Automotive
 - ◆ 360° Surround View System
 - ◆ Rear View

DEFAULT IMAGING DIRECTION

- The logo "Leopard Imaging" is on the TOP.



TOP (Default Imaging Direction)

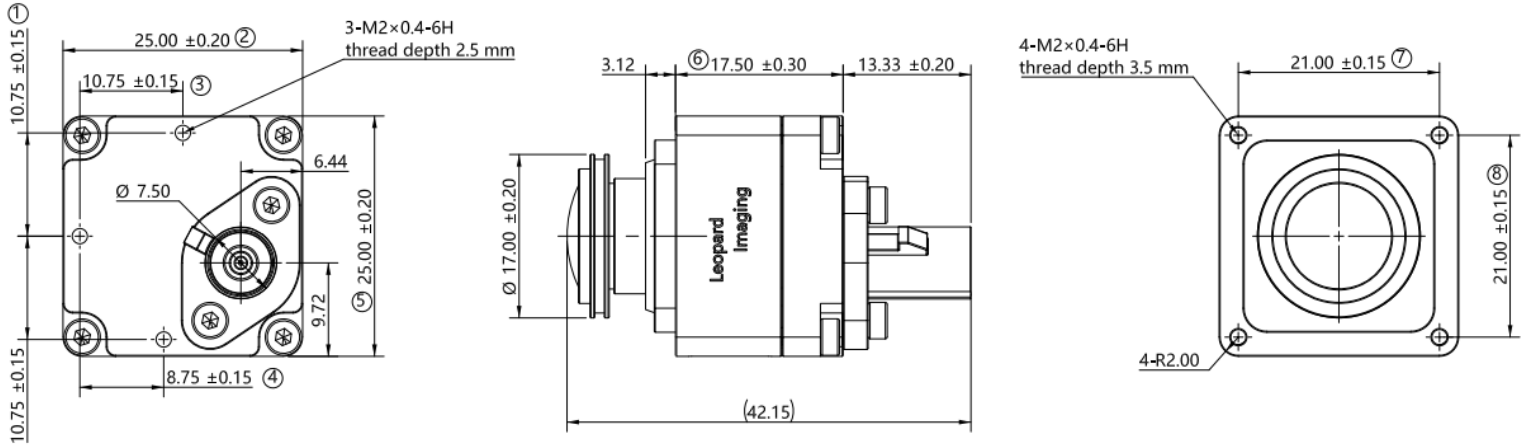


LENS SPECIFICATIONS

Focal Length	1.95 mm
Aperture, F/#	2.3
Field of View (FOV)	124.0° horizontal @ 4.03 mm
	96.7° vertical @ 3.23 mm
	172.3° diagonal @ 5.16 mm
TV Distortion	16.40% @ 5.16 mm
Relative Illumination	54.2% @ 5.16 mm
IR Filter	650 nm IR cut filter
Lens Mount	M12 x P0.5



DIMENSIONS



TOLERANCE TABLE					
LENGTH TOLERANCE		CHAMFER TOLERANCE		ANGLE TOLERANCE	
Size X	Tolerance	Size X	Tolerance	Size X	Tolerance
$0.5 < X \leq 3$	± 0.1	$0.5 < X \leq 3$	± 0.2	$X \leq 10$	$\pm 1^\circ$
$3 < X \leq 6$	± 0.1	$3 < X \leq 6$	± 0.5	$10 < X \leq 50$	$\pm 30'$
$6 < X \leq 30$	± 0.2	$6 < X \leq 30$	± 1	$50 < X \leq 120$	$\pm 20'$
$30 < X \leq 120$	± 0.3			$120 < X \leq 400$	$\pm 10'$
$120 < X \leq 400$	± 0.5				
$400 < X \leq 1000$	± 0.8				
$X > 1000$	± 1.2	$X > 30$	± 2	$X > 400$	$\pm 5'$

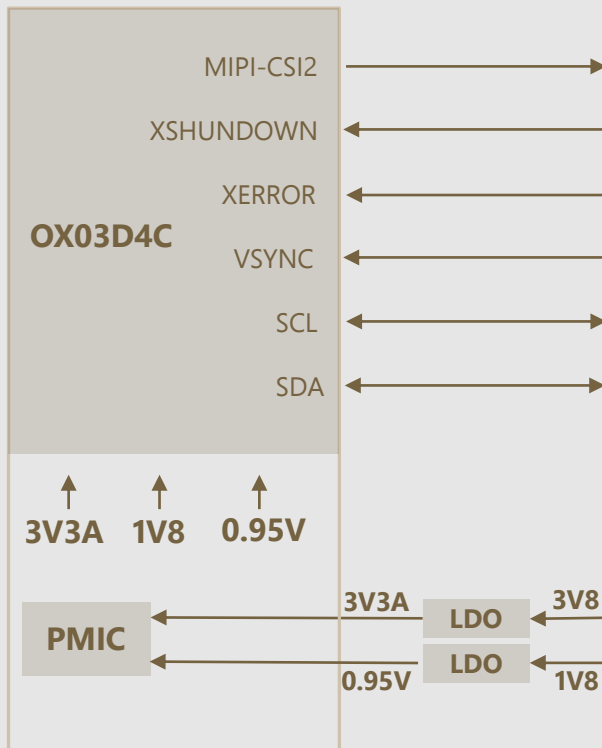
NOTE:

- \otimes marked are important sizes.
- Tolerances for others unmarked – refer to the Tolerance Table.

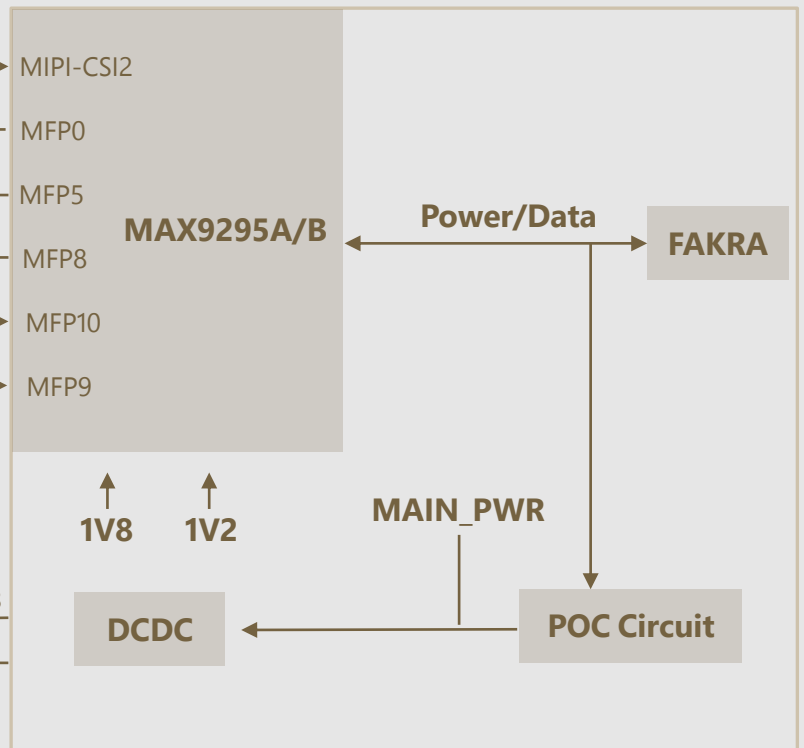
Unit: mm

PINOUT CONNECTIONS

(I2C: 0x6C 8-bit)



(I2C: 0xC4 8-bit)



USB3.0 CAMERA KIT

LI-GMSL2-USB



Top View

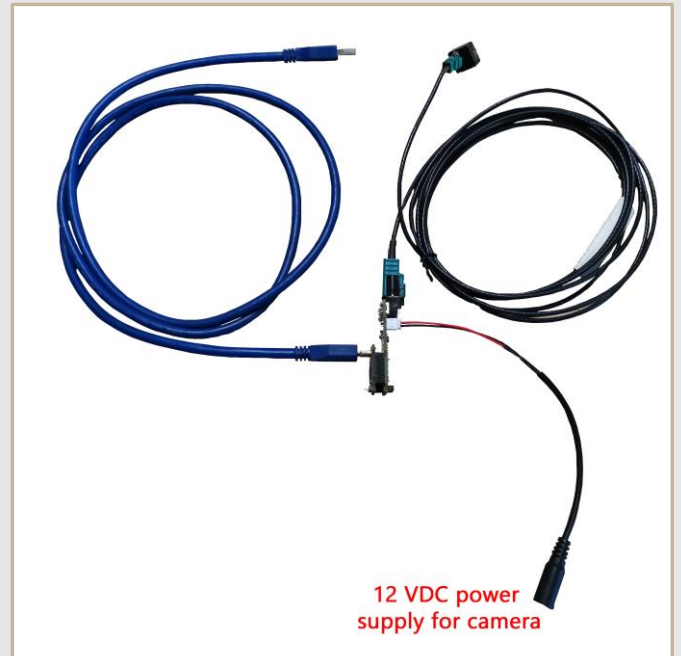
Bottom View

LI-VENUS-OX03D4C-GM2A-124H can connect to LI-GMSL2-USB as a USB 3.0 camera.

Part#: **LI-USB30-VENUS-OX03D4C-GM2A-124H**

SPECIFICATIONS

- USB 3.0 Super Speed support
- UVC compliant
- Allows customization
- 12 VDC power supply for camera
- Output format: 10-bit RAW
- Weight: TBD
- Single Coax Cable transmits up to 12 meters PoC (Power over Cable)
- Resolution: 1928 x 1536 @ 30 fps
- Power consumption: 92 mA @ 12 VDC
- Compatible with Windows, Linux OS and other OS which have UVC drivers



12 VDC power supply for camera

BOM

#	Items	QTY
1	LI-VENUS-OX03D4C-GM2A-124H	1
2	LI-GMSL2-USB	1
3	3-Meter Fakra Cable	1
4	12 VDC Power Supply	1
5	USB3.0 Cable	1

SDK SUPPORTED

- Camera Tool Source Code in C#
- Capture & Display
- Register Access Function

● REVISION HISTORY

Revision	Description	Release Date
0.1	Initial draft.	30 May 2023

910 Auburn Ct, Fremont, CA 94538, USA
Phone: +1 (408)263-0988
Fax: +1 (408)217-1960
Email: sales@leopardimaging.com
Website: www.leopardimaging.com

