



LI-OV2312-OAX40-VCL-OMS-GM2B-200H



Address:

910 Auburn Ct
Fremont, CA 94538
USA



Phone:

+1 (408)263-0988

Fax:

+1 (408)217-1960



Sales:

sales@leopardimaging.com

Support:

support@leopardimaging.com

INTRODUCTION

The LI-OV2312-OAX40-VCL-OMS-GM2B-200H is equipped with OmniVision 1/2.9" RGB-IR CMOS 2MP (1600 x 1300) global shutter image sensor OV2312, automotive ISP OAX4000, Maxim GMSL2 serializer MAX96717 and 2 VCSELS. This camera outputs YUV data.

SPECIFICATIONS

Sensor	OmniVision RGB-IR CMOS 2MP Image Sensor OV2312
Optical Format	1/2.9"
Resolution	1600 (H) x 1300 (V) (Based on ISP binary)
Pixel Size	3.0 x 3.0 μm
Output Format	YUV422 (8-bit)
Color / Mono	RGB-IR
Frame Rate	30 fps @ 1600 x 1300
Shutter	Global shutter
Serializer	Maxim MAX96717
Power Supply Range	9 ~ 19 VDC
ISP	OMNIVISION automotive ISP OAX4000
VCSEL	Included
IP Rating	TBD
FAKRA Connector	FAKRA Z TYPE
Power Consumption (1600 x 1300 @ 30 fps)	Approx. 413 mA @ 12 VDC (2 VCSELS on) Approx. 83 mA @ 12 VDC (2 VCSELS off)
Operating Temp	TBD
Storage Temp	TBD
Weight	~ 222 g
Part#	LI-OV2312-OAX40-VCL-OMS-GM2B-200H

APPLICATIONS

- Autonomous Driving
- Driver Monitoring System
- Occupant Monitoring System
- In-Cabin Monitoring System

LENS SPECIFICATIONS

Focal Length	1.44 mm
Aperture, F/#	2.0 \pm 5%
Field of View (FOV)	200° horizontal
IR Filter	Visible + 940 nm band pass filter
Relative Illumination	40.0% @ IH 2.4
Distortion ($y=f\theta$)	+10% @ IH 2.77
Lens Mount	M12 x P0.5

EYE SAFETY

- Comply with IEC 60825 - 1:2014 standard

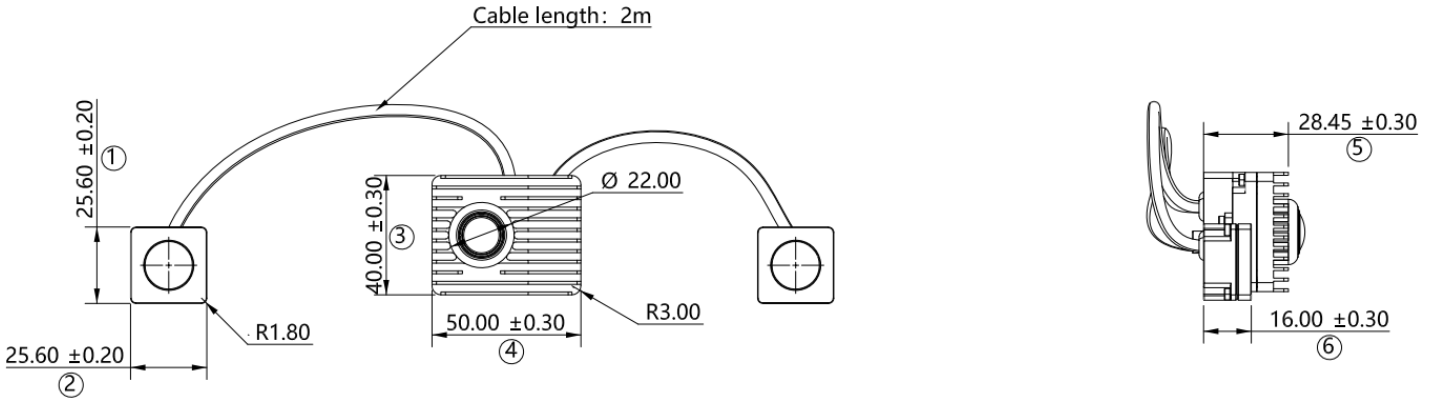
VCSEL SPECIFICATIONS

Wavelength	940 nm
Field of Illumination (FOI)	125.5° horizontal 111.5° vertical
QTY on Camera	2

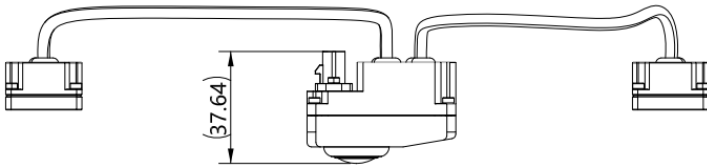
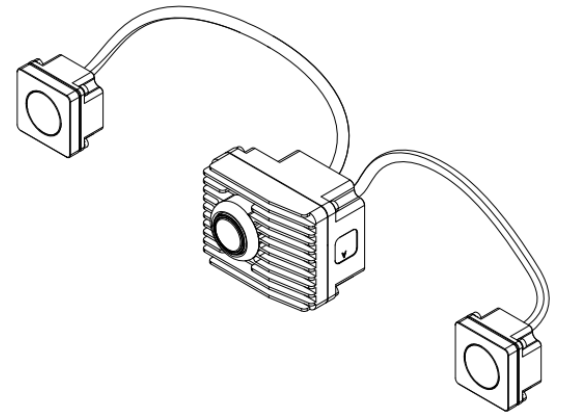
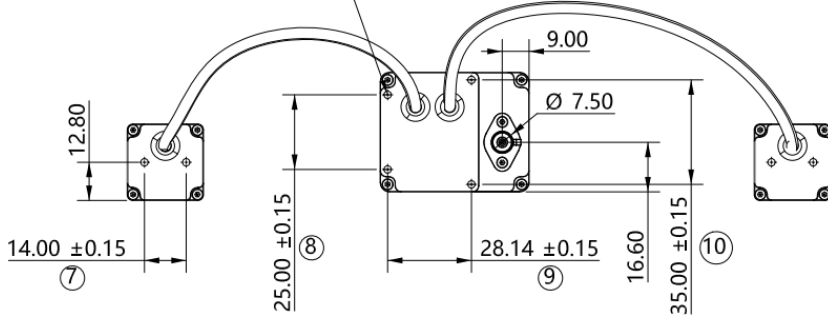


DIMENSIONS

Cable length: 2m



8-M3×0.5-6H
thread depth 4.0 mm

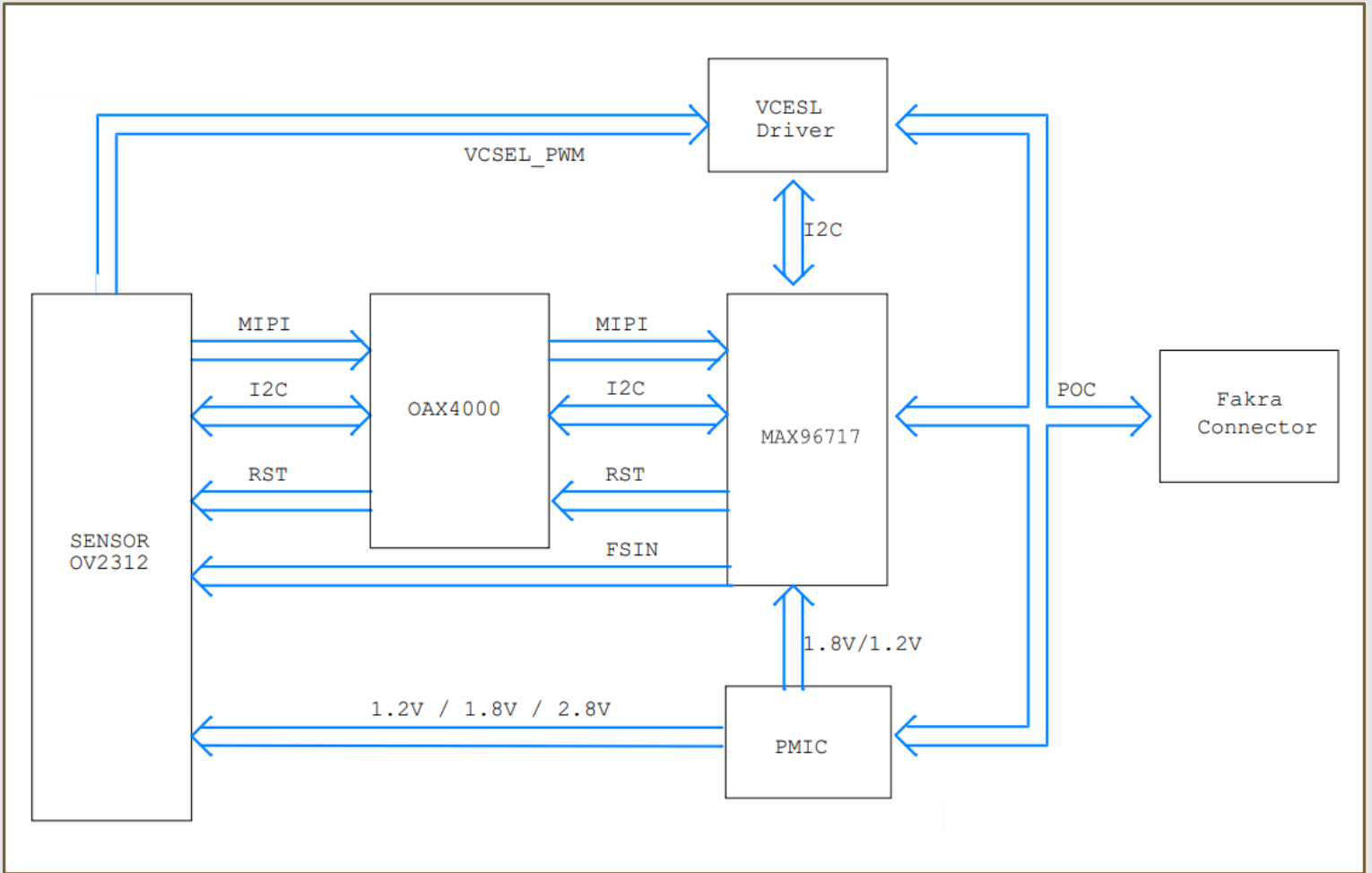


NOTE:

- ⊗ marked are important sizes.
- Other unmarked tolerances are ± 0.3 mm.

Unit: mm

BLOCK DIAGRAM



● REVISION HISTORY

Revision	Description	Release Date
0.1	Initial draft.	26 May 2023

910 Auburn Ct, Fremont, CA 94538, USA
Phone: +1 (408)263-0988
Fax: +1(408)217-1960
Email: sales@leopardimaging.com
Website: www.leopardimaging.com

