



LI-IMX462-USB-184H



Address:

910 Auburn Ct
Fremont, CA 94538
USA



Phone:

+1 (408)263-0988

Fax:

+1 (408)217-1960



Sales:

sales@leopardimaging.com

Support:

support@leopardimaging.com

INTRODUCTION

The LI-IMX462-USB-184H is a USB2.0 camera with Sony STARVIS diagonal 6.46mm (Type 1/2.8) 2MP back-illuminated CMOS image sensor IMX462. This camera outputs MJPEG and YUV data.

KEY FEATURES

Sensor	Sony STARVIS Diagonal 6.46 mm 2MP CMOS Image Sensor IMX462
Optical Format	1/2.8"
Resolution	1937 (H) x 1097 (V) (active pixels)
Pixel Size	2.9 x 2.9 μm
Output Format	MJPEG, YUV
Color / Mono	Color sensor
Interface	USB 2.0
Cable Length	~ 100 cm
Connector Part#	HY-4A
Power Consumption	127 mA @ 5 VDC (1920 x 1080 @ 60 fps)
Operating Temp	-20°C ~ +70°C
Storage Temp	-30°C ~ +80°C
Weight	~ 28 g (With cable) ~ 7 g (Camera module only)
Part#	LI-IMX462-USB-184H

APPLICATIONS

- Robotics Cameras
- Industrial Cameras
- Surveillance Cameras

LENS SPECIFICATIONS

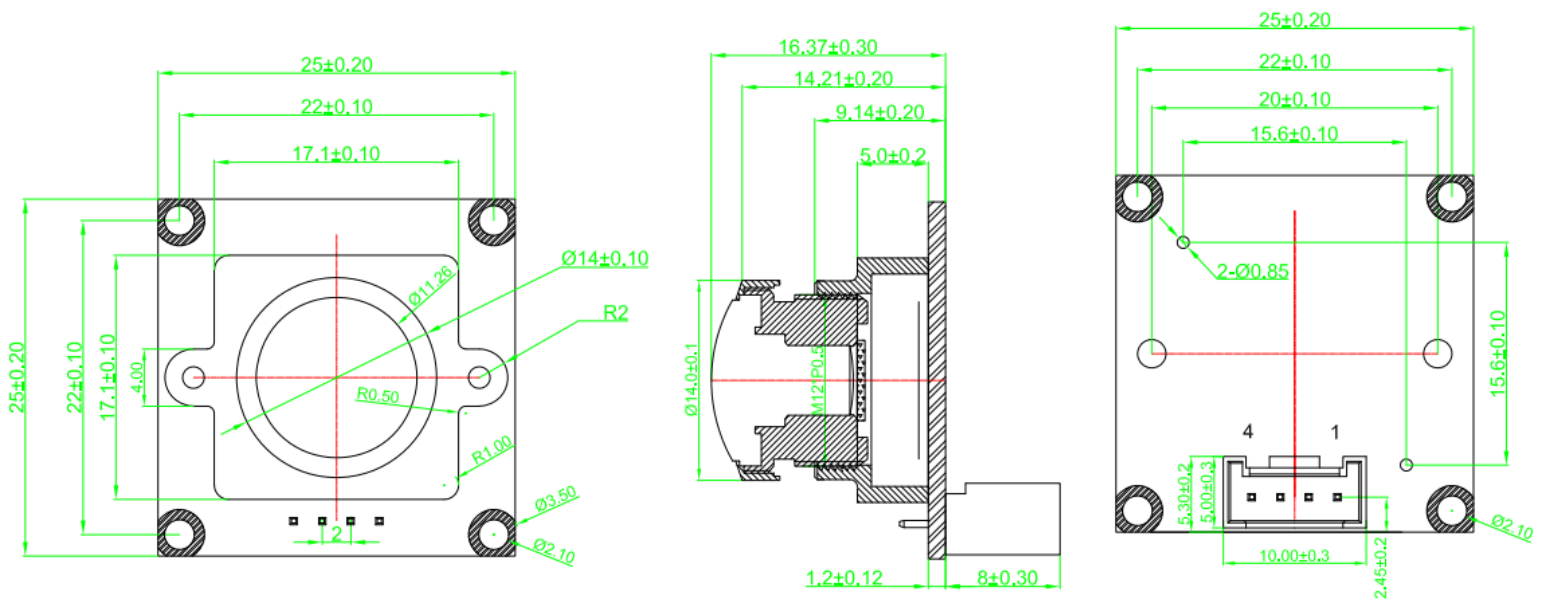
Focusing Range	20 cm to infinity
Focal Length	1.88 mm
Aperture, F/#	1.8
Field of View (FOV)	184° horizontal
TV Distortion	< -35%
Lens Mount	M12 x P0.5



SPECIFICATION

<p>Video Resolution, Format and Frame Rate</p>	<table> <tr> <td>1920 x 1080</td> <td>MJPG @ 60 fps (Default)</td> <td>1920 x 1080</td> <td>YUV @ 5 fps (Default)</td> </tr> <tr> <td>1280 x 960</td> <td>MJPG @ 60 fps</td> <td>1280 x 960</td> <td>YUV @ 5 fps</td> </tr> <tr> <td>1280 x 720</td> <td>MJPG @ 60 fps</td> <td>1280 x 720</td> <td>YUV @ 10 fps</td> </tr> <tr> <td>800 x 600</td> <td>MJPG @ 60 fps</td> <td>800 x 600</td> <td>YUV @ 15 fps</td> </tr> <tr> <td>640 x 480</td> <td>MJPG @ 60 fps</td> <td>640 x 480</td> <td>YUV @ 30 fps</td> </tr> <tr> <td>320 x 240</td> <td>MJPG @ 60 fps</td> <td>320 x 240</td> <td>YUV @ 30 fps</td> </tr> </table>	1920 x 1080	MJPG @ 60 fps (Default)	1920 x 1080	YUV @ 5 fps (Default)	1280 x 960	MJPG @ 60 fps	1280 x 960	YUV @ 5 fps	1280 x 720	MJPG @ 60 fps	1280 x 720	YUV @ 10 fps	800 x 600	MJPG @ 60 fps	800 x 600	YUV @ 15 fps	640 x 480	MJPG @ 60 fps	640 x 480	YUV @ 30 fps	320 x 240	MJPG @ 60 fps	320 x 240	YUV @ 30 fps
1920 x 1080	MJPG @ 60 fps (Default)	1920 x 1080	YUV @ 5 fps (Default)																						
1280 x 960	MJPG @ 60 fps	1280 x 960	YUV @ 5 fps																						
1280 x 720	MJPG @ 60 fps	1280 x 720	YUV @ 10 fps																						
800 x 600	MJPG @ 60 fps	800 x 600	YUV @ 15 fps																						
640 x 480	MJPG @ 60 fps	640 x 480	YUV @ 30 fps																						
320 x 240	MJPG @ 60 fps	320 x 240	YUV @ 30 fps																						
<p>Adjustment</p>	<p>The following can be adjusted manually:</p> <ul style="list-style-type: none"> ● Brightness ● Contrast ● Hue ● Saturation ● Sharpness ● Gamma ● White Balance ● Backlight Comp ● Gain ● Exposure (Default: Auto) 																								

DIMENSIONS: LI-IMX462-USB-184H Camera Module



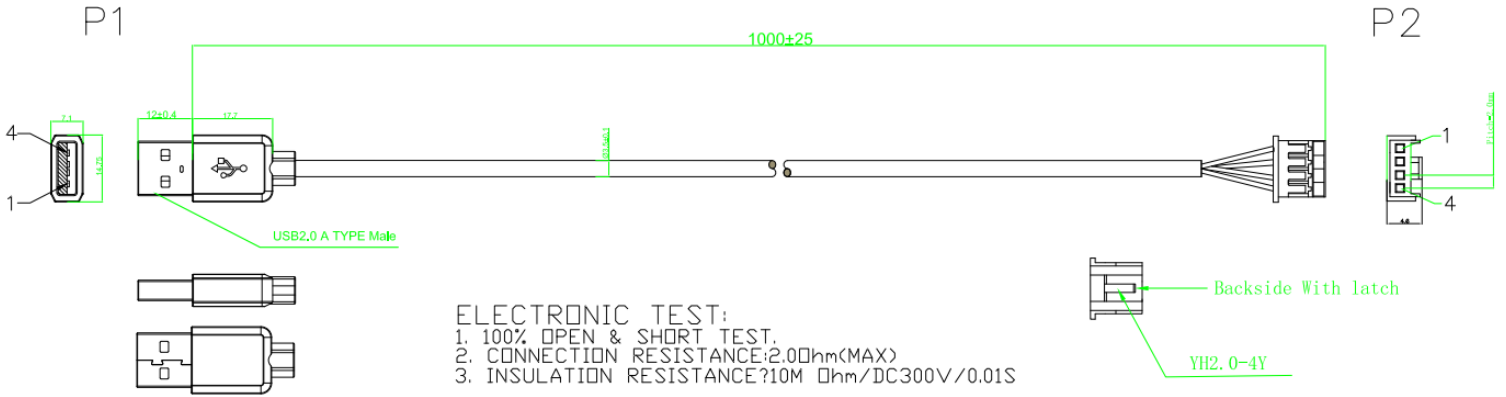
#	Items	QTY	Description
1	PCB	1	
2	Lens	1	
3	Sensor	1	IMX462
4	DSP	1	SN9C2086
5	Connector	1	4P * 2.0 mm pitch

NOTE:

- Basic tolerance: ± 0.1 mm
- "*" marked is the emphasized dimension.

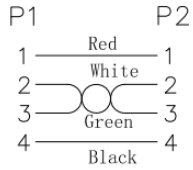
Unit: mm

DIMENSIONS: Cable



ELECTRONIC TEST:
 1. 100% OPEN & SHORT TEST.
 2. CONNECTION RESISTANCE: 2.0Ωhm(MAX)
 3. INSULATION RESISTANCE: 10M Ωhm/DC300V/0.01S

WIRE DIAGRAM



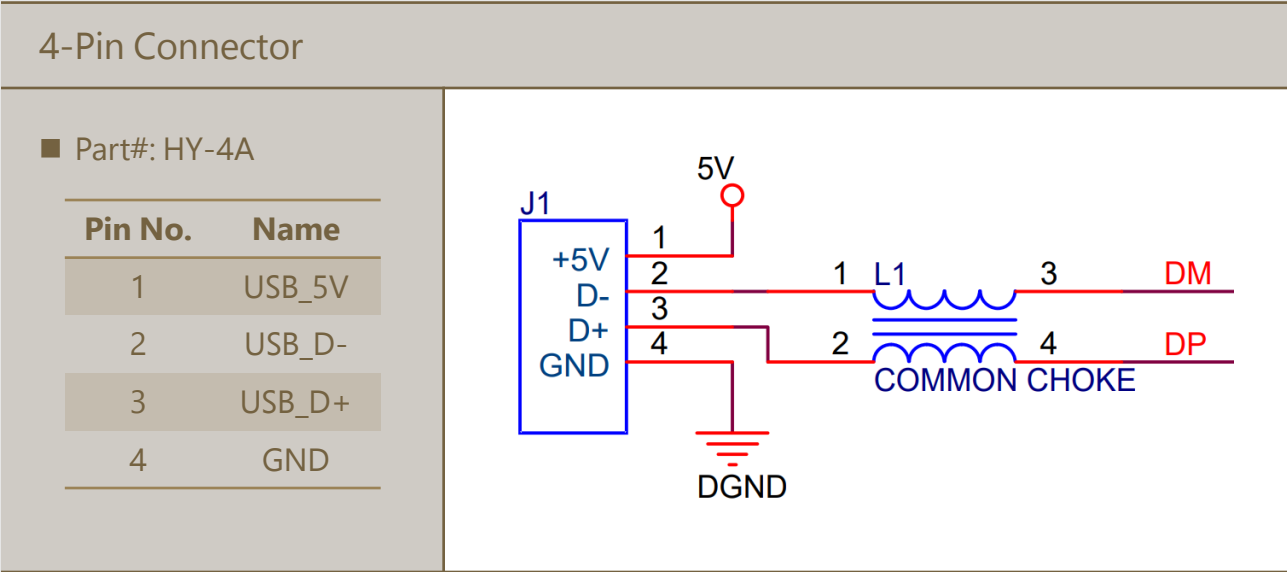
WIRE GRADE:
 30AWG 7/0.10BC*1P (White/Green) +26AWG 7/0.16BC*2C (Red/ Black) DD3.5
 BLACK PVC

NOTE:

- Basic tolerance: ±0.1 mm
- "*" marked is the emphasized dimension.

Unit: mm

INTERFACE J1



● REVISION HISTORY

Revision	Description	Release Date
1.0	First release.	02 June 2023

910 Auburn Ct, Fremont, CA 94538, USA
Phone: +1-408-263-0988
Fax: +1-408-217-1960
Email: sales@leopardimaging.com
Website: www.leopardimaging.com

