



# LI-IMX675-MIPI-076H



**Address:**

910 Auburn Ct  
Fremont, CA 94538  
USA



**Phone:**

+1 (408)263-0988

**Fax:**

+1 (408)217-1960



**Sales:**

[sales@leopardimaging.com](mailto:sales@leopardimaging.com)

**Support:**

[support@leopardimaging.com](mailto:support@leopardimaging.com)

## INTRODUCTION

The LI-IMX675-MIPI-076H is a MIPI CSI-2 camera with Sony STARVIS2 diagonal 6.53 mm (Type 1/2.8) CMOS solid-state color sensor IMX675 which has low power consumption and achieves high sensitivity, low dark current and no smear. This camera outputs 10-bit / 12-bit RAW data.

## SPECIFICATIONS

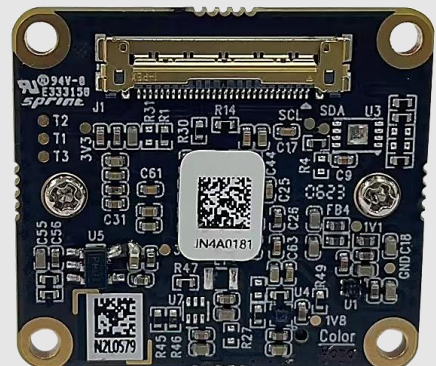
|                          |  |
|--------------------------|--|
| Sensor                   | Sony STARVIS2 Diagonal 6.53 mm CMOS Image Sensor IMX675                      |
| Optical Format           | 1/2.8"   |
| Resolution               | 2608 (H) x 1960 (V) (active pixels)  |
| Pixel Size               | 2.0 x 2.0 $\mu\text{m}$  |
| Output Format            | 10-bit / 12-bit RAW  |
| Maximum Frame Rate       | 12 bit: 60 fps @ all-pixel scan mode<br>10 bit: 80 fps @ all-pixel scan mode |
| ISP                      | Not included   |
| Color / Mono             | Color  |
| HDR (High Dynamic Range) | Supported  |
| Interface                | 4-lane MIPI CSI-2  |
| Power Consumption        | 195 mA @ 5 VDC<br>(2608 x 1964 @ 25 fps)                                     |
| Operating Temp           | -30°C ~ +85°C  |
| Storage Temp             | -40°C ~ +85°C  |
| Weight                   | ~ 14 g   |
| Part#                    | LI-IMX675-MIPI-076H  |

## APPLICATIONS

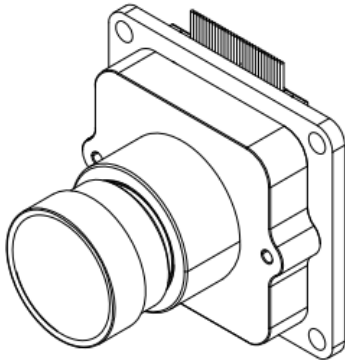
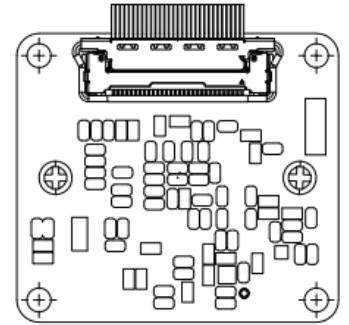
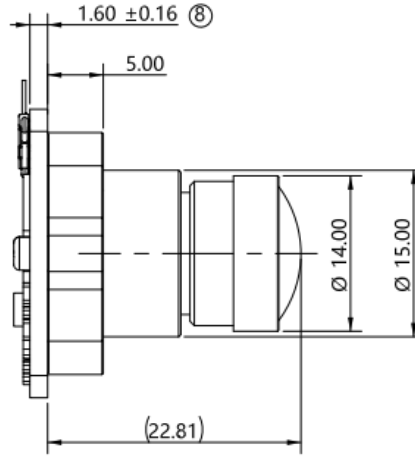
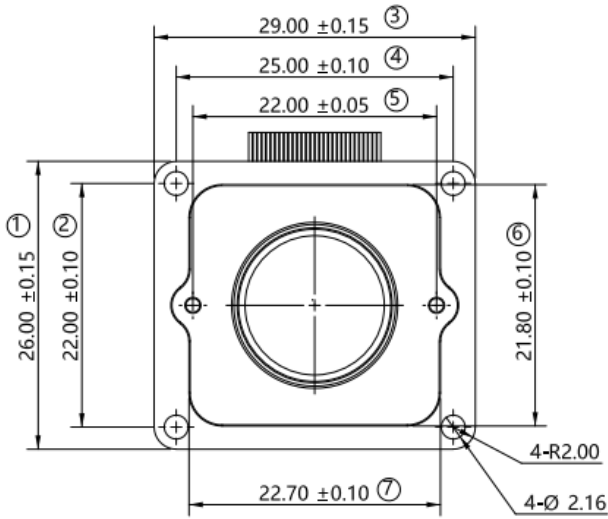
- IoT
- Drone
- Robots

## LENS SPECIFICATIONS

|                       |                      |
|-----------------------|----------------------|
| Focal Length          | 3.25 mm $\pm$ 5%     |
| Aperture, F/#         | 2.60 $\pm$ 5%        |
| Field of View (FOV)   | 76° horizontal       |
| TV Distortion         | < -0.3%              |
| Relative Illumination | > 72.98%             |
| IR Filter             | 650 nm IR cut filter |
| Lens Mount            | M12 x P0.5           |



# DIMENSIONS



| TOLERANCE TABLE  |           |                   |           |                 |           |
|------------------|-----------|-------------------|-----------|-----------------|-----------|
| LENGTH TOLERANCE |           | CHAMFER TOLERANCE |           | ANGLE TOLERANCE |           |
| Size X           | Tolerance | Size X            | Tolerance | Size X          | Tolerance |
| 0.5 < X ≤ 3      | ±0.1      | 0.5 < X ≤ 3       | ±0.2      | X ≤ 10          | ±1°       |
| 3 < X ≤ 6        | ±0.1      | 3 < X ≤ 6         | ±0.5      | 10 < X ≤ 50     | ±30'      |
| 6 < X ≤ 30       | ±0.2      | 6 < X ≤ 30        | ±1        | 50 < X ≤ 120    | ±20'      |
| 30 < X ≤ 120     | ±0.3      | X > 30            | ±2        | 120 < X ≤ 400   | ±10'      |
| 120 < X ≤ 400    | ±0.5      |                   |           | X > 400         | ±5'       |
| 400 < X ≤ 1000   | ±0.8      |                   |           |                 |           |
| X > 1000         | ±1.2      |                   |           |                 |           |

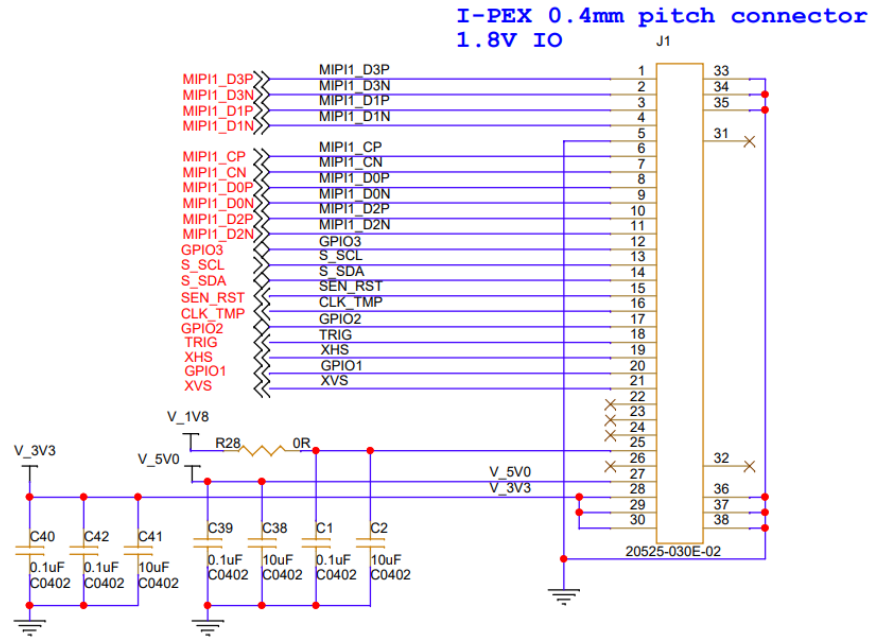
**NOTE:**

- ⊗ marked are important sizes.
- Other unmarked tolerances – refer to the Tolerance table.

Unit: mm

# INTERFACE J1

- Connector Part#: 20525-030E-02
- Number of Positions: 30
- Pitch: 0.4 mm
- Mating I-PEX cable: LI-FAW-1233
- Sensor I2C Address: 0x34 (8-bit)
- External Power Supply: 3.3V, 5.0V
- 3.3V (analog), 1.8V and 1.1V are generated from board



## ● REVISION HISTORY

| Revision | Description    | Release Date |
|----------|----------------|--------------|
| 1.0      | First release. | 15 May 2023  |

910 Auburn Ct, Fremont, CA 94538, USA  
Phone: +1-408-263-0988  
Fax: +1-408-217-1960  
Email: [sales@leopardimaging.com](mailto:sales@leopardimaging.com)  
Website: [www.leopardimaging.com](http://www.leopardimaging.com)

