



LI-AR2020-MIPI-079H



Address:

910 Auburn Ct
Fremont, CA 94538
USA



Phone:

+1 (408)263-0988

Fax:

+1 (408)217-1960



Sales:

sales@leopardimaging.com

Support:

support@leopardimaging.com

INTRODUCTION

The LI-AR2020-MIPI-079H is a MIPI CSI-2 camera equipped with ON Semiconductor 1/1.8-inch 20 Mp CMOS sensor AR2020 which features advanced 1.4 μm pixel stacked BSI Technology and enhanced NIR response on 850 nm and 940 nm wavelength. This camera outputs 10-bit RAW data.

SPECIFICATIONS

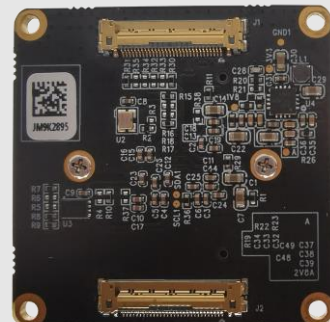
Sensor	ON Semiconductor 20 Mp CMOS sensor AR2020
Optical Format	1/1.8"
Resolution	5120 (H) x 3840 (V) (active pixels)
Pixel Size	1.4 μm Back Side Illuminated (BSI)
Output Format	10-bit RAW data
Frame Rate	30 fps @ 5120 x 3840
ISP	Not included
Color / Mono	Color sensor
Interface	4-lane MIPI D-PHY
xDR (Extended Dynamic Range)	Support
Power Consumption	Approximate 435 mW
Operating Temp	TBD
Storage Temp	TBD
Weight	~ 25 g
Part#	LI-AR2020-MIPI-079H

APPLICATIONS

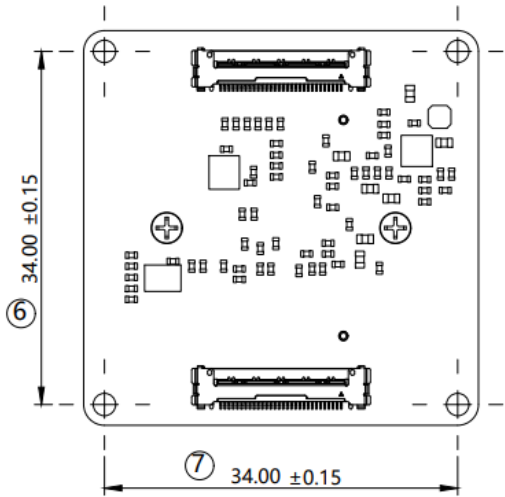
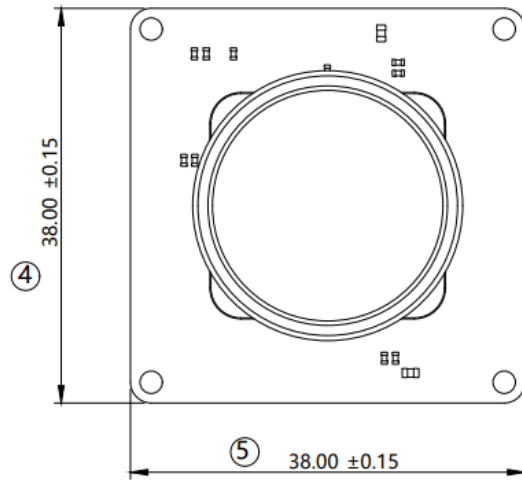
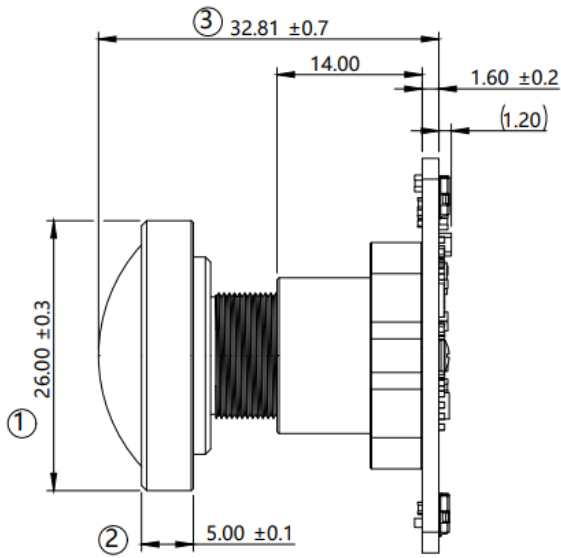
- Surveillance Camera
- Video Conferencing
- Machine Vision
- 3D and Stereo Imaging

LENS SPECIFICATIONS

Effective Focal Length	4.5 mm
Aperture, F/#	1.8
Field of View (FOV)	90° diagonal
	79° horizontal
	63° vertical
Optical Distortion	-2.8%
Relative Illumination	> 50%
IR Filter	650 nm IR cut filter
Lens Mount	M12 x P0.5



DIMENSIONS



TOLERANCE TABLE					
LENGTH TOLERANCE		CHAMFER TOLERANCE		ANGLE TOLERANCE	
Size X	Tolerance	Size X	Tolerance	Size X	Tolerance
0.5 < X ≤ 3	±0.1	0.5 < X ≤ 3	±0.2	X ≤ 10	±1°
3 < X ≤ 6	±0.1	3 < X ≤ 6	±0.5	10 < X ≤ 50	±30'
6 < X ≤ 30	±0.2	6 < X ≤ 30	±1	50 < X ≤ 120	±20'
30 < X ≤ 120	±0.3	X > 30	±2	120 < X ≤ 400	±10'
120 < X ≤ 400	±0.5			X > 400	±5'
400 < X ≤ 1000	±0.8				
X > 1000	±1.2				

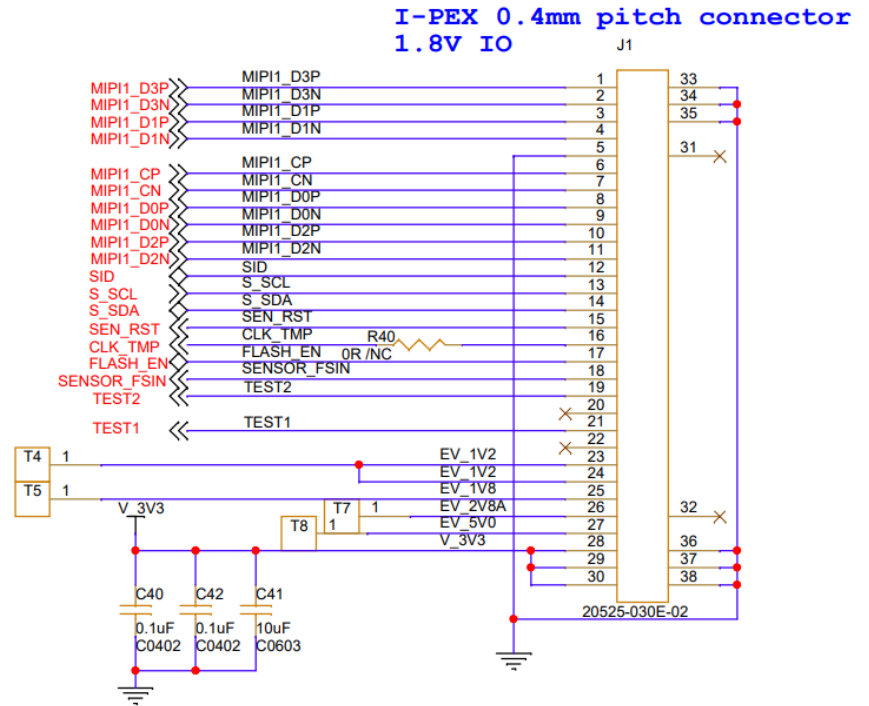
NOTE:

- ⊗ marked are important sizes.
- Tolerances for the unmarked – refer to the Tolerance table.

Unit: mm

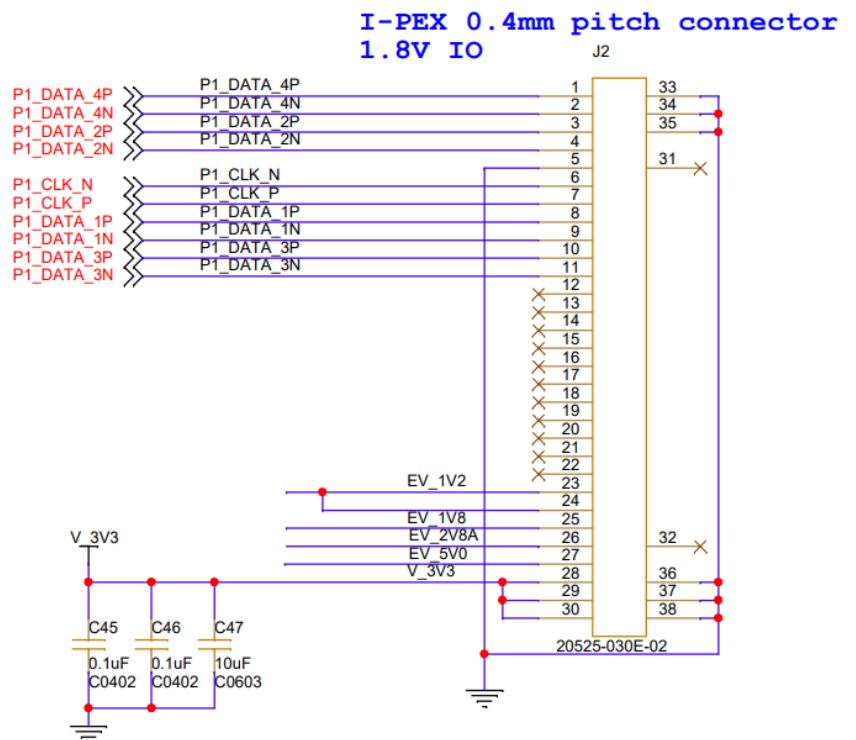
INTERFACE J1

- Connector Part#: 20525-030E-02
- Number of Positions: 30
- Pitch: 0.4 mm
- Mating I-PEX Cable: FAW-1233
- Sensor I2C Address: 0x6C (8-bit)
- External Power Supply: 3.3V
- 2.8V, 1.8V, 1.05V are generated from board.



INTERFACE J2 (Not Used)

- Connector Part#: 20525-030E-02
- Number of Positions: 30
- Pitch: 0.4 mm
- Mating I-PEX Cable: FAW-1233



● REVISION HISTORY

Revision	Description	Release Date
0.1	Initial draft.	18 Apr 2023

910 Auburn Ct, Fremont, CA 94538, USA
Phone: +1-408-263-0988
Fax: +1-408-217-1960
Email: sales@leopardimaging.com
Website: www.leopardimaging.com

