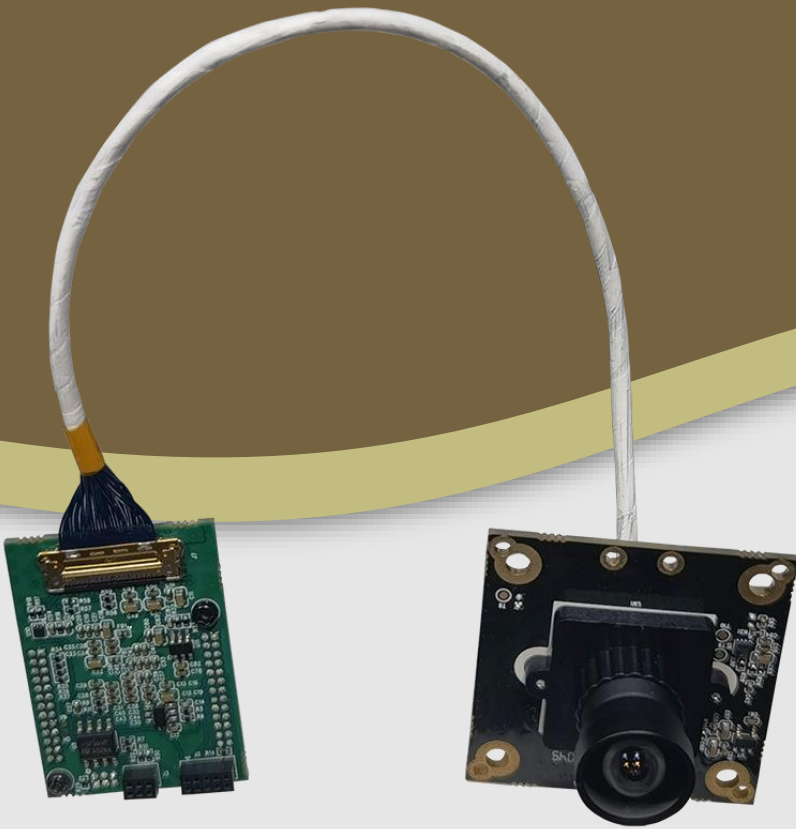




# LI-USB30-IMX577



**Address:**

48820 Kato Road  
Suite 100B  
Fremont, CA 94538  
USA



**Phone:**

+1 (408)263-0988

**Fax:**

+1 (408)217-1960



**Sales:**

[sales@leopardimaging.com](mailto:sales@leopardimaging.com)

**Support:**

[support@leopardimaging.com](mailto:support@leopardimaging.com)

## Key Features

- USB 3.0 Super Speed support
- RAW data output without compression
- UVC compliant
- Color camera
- Supports M12 / CS lens
- Allows customization
- USB +5 VDC powered device
- Part#: LI-USB30-IMX577

## Default Lens Specifications

Effective Focal Length	3.25 mm $\pm$ 5%
Aperture, F/#	2.60 $\pm$ 5%
Field of View (FOV)	101.6° diagonal
	88.5° horizontal
	71.6° vertical
TV Distortion	< -0.6%
Relative Illumination	> 58.98%
IR Filter	650 nm IR cut filter
Lens Mount	M12 x P0.5

## Applications

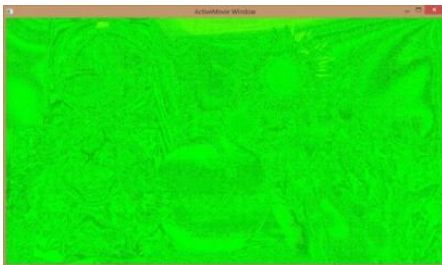
- Machine Vision
- Medical Camera
- Scientific Camera

## SDK Supported

- Camera Tool Source Code in C#
- Capture & Display
- RAW to RGB Conversion
- Save file as BMP & RAW format
- Color Matrix
- Register access function

## BOM

#	Items	QTY
1	LI-IMX577-MIPI	1
2	LI-USB30 Main board	1
3	LI-CSLINK-IPX-TESTER	1
4	FAW-1233-02 (200 mm)	1



RAW Data Streaming



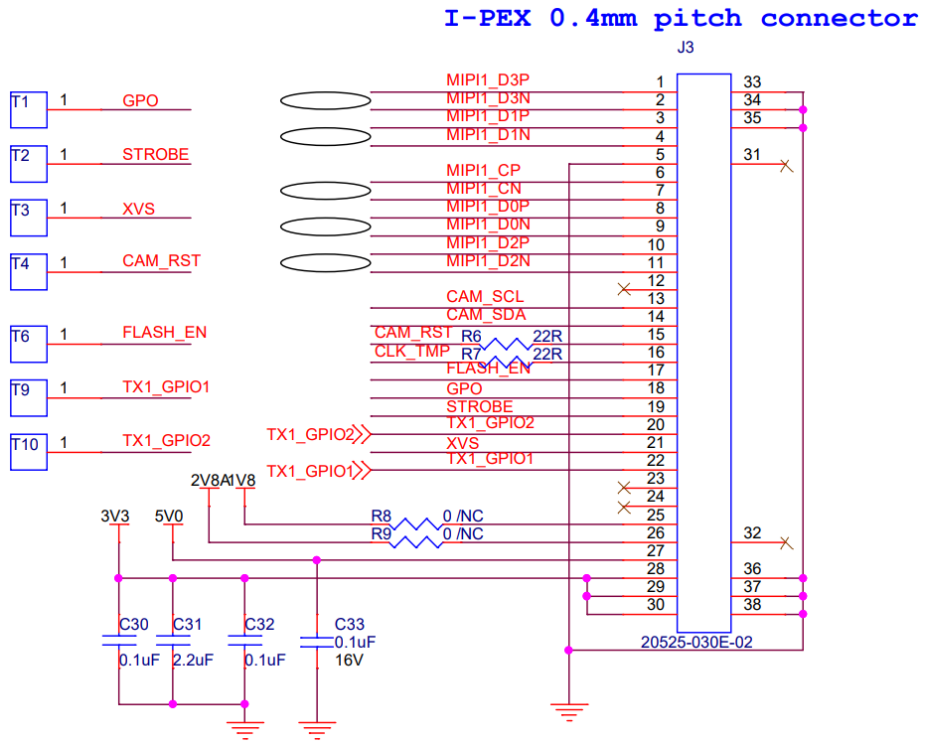
Camera Tool View Mode

## SEPCIFICATIONS

<b>General Behavior</b>	
Video Resolution @ Frame rate	4056 x 3040 @ 12 fps
Bit Depth	10-bit
<b>Interface (Optical)</b>	
IR Cut Filter (on lens)	650 nm IR cut filter
Sensor	Sony Diagonal 7.857 mm (Type 1/2.3) CMOS Image Sensor IMX577
Shutter	Rolling
Color / Mono	Color
Format	1/2.3"
Active Pixels	4056 (H) x 3040 (V)
Pixel Size	1.55 x 1.55 $\mu\text{m}$
Lens Mount	CS / M12 lens mount support (Default: M12 lens)
<b>Interface (Electrical)</b>	
Interface	USB 3.0
Supply Voltage	USB 3.0 +5 VDC power source
Current Consumption	TBD
<b>Interface (Mechanical)</b>	
Dimensions	LI-IMX577-MIPI: 38.0 (L) x 38.0 (W) mm
	LI-USB30 Main board: 26.0 (L) x 26.0 (W) mm
	LI-CSLINK-IPX-TESTER: 36.5 (L) x 26.5 (W) mm
Weight (Without FAW-1233-xx cable)	LI-IMX577-MIPI-M12 + LI-USB30 Main board + LI-CSLINK-IPX-TESTER: ~ 25 g
	LI-IMX577-MIPI-CS + LI-USB30 Main board + LI-CSLINK-IPX-TESTER: ~ 67 g
<b>Adjustment (Manual)</b>	
Shutter	TBD
Gain	TBD
Register Access	Yes
<b>Environmental</b>	
Max. Temperature (Operation)	0°C ~ +50°C (+32°F ~ +122°F)
Max. Temperature (Storage)	-20°C ~ +80°C (-4°F ~ +176°F)
Max. Humidity (Operation)	20% ~ 80%, relative, non-condensing
Max. Humidity (Storage)	20% ~ 80%, relative, non-condensing
<b>Supported OS</b>	
Windows OS, Standard Linux OS and other OS with full UVC drivers	

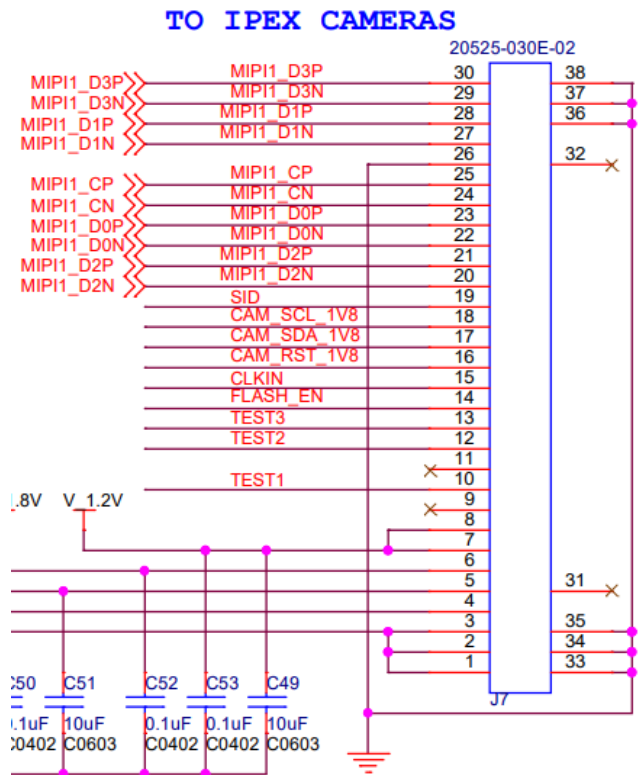
# LI-IMX577-MIPI INTERFACE (MIPI Connector)

- Connector Part#: 20525-030E-02
- Number of Positions: 30
- Pitch: 0.4 mm
- Mating I-PEX Cable: FAW-1233-xx



# LI-CSLINK-IPX-TESTER INTERFACE (To Cam)

- Part#: 20525-030E-02
- Number of Positions: 30
- Pitch: 0.4 mm
- Mating I-PEX Cable: FAW-1233-xx



## ● REVISION HISTORY

Revision	Description	Release Date
1.0	First release.	13 May 2019
1.1	1. Replaced SYD1201A lens with JSD2733-A1. 2. Updated dimension and weight info and added interface part.	25 Aug 2021

48820 Kato Rd, Suite 100B, Fremont, CA 94538, USA

Phone: +1-408-263-0988

Fax: +1-408-217-1960

Email: [sales@leopardimaging.com](mailto:sales@leopardimaging.com)

Website: [www.leopardimaging.com](http://www.leopardimaging.com)

